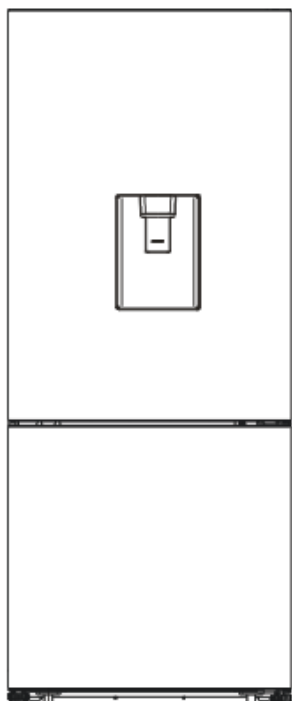


# Hisense

## USER'S OPERATION MANUAL



TYPE NUMBER: H610BS-WD  
H610BI-WD  
RD-60WC4SIB

Before operating this unit, please read this manual thoroughly,  
and retain for future reference

## Contents

Safety and warning information.....	2	Cleaning and care.....	21
Installing your new appliance.....	8	Helpful hints and tips.....	22
Description of the appliance.....	15	Troubleshooting.....	23
Display controls.....	16	Disposal of the appliance.....	25
Using your appliance.....	18		



## Safety and warning information

For your safety and correct usage, before installing and first using the appliance, read this user manual carefully, including its hints and warnings. To avoid unnecessary mistakes and accidents, it is important to make sure that all people using the appliance are thoroughly familiar with its operation and safety features. Save these instructions and be sure that they remain with the appliance if it is moved or sold, so that anyone using it throughout its life, will be properly informed on its usage and safety notices.

For the safety of life and property, keep the precautions of these user's instructions as the manufacturer is not responsible for damages caused by omission.

### **Safety for children and others who are vulnerable people**

- **According to EN standard**

This appliance can be used by children aged from 8 years and above and persons with reduced physical, sensory or mental capabilities or lack of experience and knowledge if they have been given supervision or instruction concerning use of the appliance in a safe way and understand the hazards involved. Children shall not play with the appliance. Cleaning and user maintenance shall not be made by children without supervision.

- **According to IEC standard**

**This appliance is not intended for use by persons (including children) with reduced physical, sensory or mental capabilities, or lack of experience and knowledge, unless they have been given supervision or instruction concerning use of the appliance by a person responsible for their safety.**

- Keep all packaging away from children as there is a risk of suffocation.
- If you are discarding the appliance, pull the plug out of the socket, cut the connection cable (as close to the appliance as you can) and remove the door to prevent children playing from suffering an electric shock or from closing themselves inside it.
- If this appliance, featuring a magnetic door seals, is to replace an older appliance having a spring lock (latch) on the door or lid, be sure to make the spring lock unusable before you discard the old appliance. This will prevent it from becoming a death trap for a child.

### **General safety**



- **WARNING** — This appliance is intended to be used in household and similar applications such as
  - staff kitchen areas in shops, offices and other working environments;
  - farm houses and by clients in hotels, motels and other residential type environments;
  - bed and breakfast type environments;
  - catering and similar non-retail applications.
- **WARNING** — Do not store explosive substances such as aerosol cans with a flammable propellant in this appliance.
- **WARNING** — If the supply cord is damaged, it must be replaced by the manufacturer, its service agent or similarly qualified persons in order to avoid a hazard.
- **WARNING** — Keep ventilation openings, in the appliance enclosure or in the built-in structure, clear of obstruction.
- **WARNING** — Do not use mechanical devices or other means to accelerate the defrosting process, other than those recommended by the manufacturer.
- **WARNING** — Do not damage the refrigerant circuit.
- **WARNING** — Do not use electrical appliances inside the food storage compartments of the appliance, unless they are of the type recommended by the manufacturer.

- 
- **WARNING** — The refrigerant and insulation blowing gas are flammable. When disposing of the appliance, do so only at an authorized waste disposal centre. Do not expose to flame.
  - **WARNING** —When positioning the appliance, ensure the supply cord is not trapped or damaged.
  - **WARNING** —Do not locate multiple portable socket-outlets or portable power supplies at the rear of the appliance.

## Replacing the illuminating lamps

- **WARNING**—The illuminating lamps must not be replaced by the user! If the illuminating lamps is damaged, contact the customer helpline for assistance.

This warning is only for refrigerators that contain illuminating lamps.

## Refrigerant

The refrigerant isobutene (R600a) is contained within the refrigerant circuit of the appliance, a natural gas with a high level of environmental compatibility, which is nevertheless flammable. During transportation and installation of the appliance, ensure that none of the components of the refrigerant circuit becomes damaged.

The refrigerant (R600a) is flammable.

- **WARNING** — Refrigerators contain refrigerant and gases in the insulation. Refrigerant and gases must be disposed of professionally as they may cause eye injuries or ignition. Ensure that tubing of the refrigerant circuit is not damage prior to proper disposal.



**WARNING: Risk of fire / flammable materials**

If the refrigerant circuit should be damaged:

-Avoid opening flames and sources of ignition.

-Thoroughly ventilate the room in which the appliance is situated.

It is dangerous to alter the specifications or modify this product in any way.

Any damage to the cord may cause a shortcircuit, fire, and/or electric shock.



### **Electrical safety**

1. The power cord must not be lengthened.
2. Make sure that the power plug is not crushed or damaged. A crushed or damaged power plug may overheat and cause a fire.
3. Make sure that you can access the main plug of the appliance.
4. Do not pull the main cable.
5. If the power plug socket is loose, do not insert the power plug. There is a risk of electric shock or fire.
6. You must not operate the appliance without the interior lighting lamp cover.
7. The fridge is only applied with power supply of single phase alternating current of 220~240V/50Hz. If fluctuation of voltage in the district of user is so large that the voltage exceeds the above scope, for safety sake, be sure to apply A.C. Automatic voltage regulator of more than 350W to the fridge. The fridge must employ a special power socket instead of common one with other electric appliances. Its plug must match the socket with ground wire.

### **Daily use**

- Do not store flammable gass or liquids in the appliance, There is a risk of an explosion.
- Do not operate any electrical appliances in the appliance (e.g. electric ice cream makers, mixers etc.).
- When unplugging always pull the plug from the mains socket, do not pull on the cable.
- Do not place hot items near the plastic components of this appliance.

- 
- Do not place food products directly against the air outlet on the rear wall.
  - Store pre-packed frozen food in accordance with the frozen food manufacture's instructions.
  - The appliances manufactures storage recommendations should be strictly adhered to. Refer to relrelevant instructions for storage.
  - Do not place carbonated or fizzy drinks in the freeze compartment as it creates pressure on the container, which may cause it to explode, resulting in damage to the appliance.
  - Frozen food can cause frost burns if consumed straight from the freezer compartment.
  - Do not place the appliance in direct sunlight.
  - Keep buring candles, lamps and other items with naked flames away from the appliance so that do not set the appliance on fire.
  - The appliance is intended for keeping food stuff and/or beverages in normal household as explained in this instruction booklet The appliance is heavy. Care should be taken when moving it.
  - Do not remove nor touch items from the freezer compartment if your hands are damp/wet, as this could cause skin abrasions or frost/freezer burns.
  - Never use the base, drawers, doors etc. to stand on or as supports.
  - Frozen food must not be refrozen once it has been thawed out.
  - Do not consume ice popsicles or ice cubes straight from the freezer as this can cause freezer burn to the mouth and lips.
  - To avoid items falling and causing injury or damage to the appliance, do not overload the door racks or put too much food in the crisper drawers.

**caution!**

**Care and cleaning**

- 
- Before maintenance, switch off the appliance and disconnect the mains plug from the mains socket.
  - Do not clean the appliance with metal objects, steam cleaner, ethereal oils, organic solvents or abrasive cleansers.
  - Do not use sharp objects to remove frost from the appliance. Use a plastic scraper.

### **Installation Important!**

- For electrical connection carefully, follow the instructions given in this manual.  
Unpack the appliance and check if there are damages on it.
- Do not connect the appliance if it is damaged. Report possible damages immediately to the place you bought it. In this case retain packing.
- It is advisable to wait at least four hours before connecting the appliance to allow the oil to flow back in the compressor.
- Adequate air circulation should be around the appliance, lacking this leads to overheating. To achieve sufficient ventilation, follow the instructions relevant to installation.
- Wherever possible the back of the product should not be too close to a wall to avoid touching or catching warm parts (compressor, condenser) to prevent the risk of a fire, follow the instructions relevant to installation.
- The appliance must not be locate close to radiators or cookers.
- Make sure that the mains plug is accessible after the installation of the appliance.

### **Service**

- Any electrical work required to do the servicing of the appliance should be carried out by qualified electrician or competent person.
- This product must be serviced by an authorized Service Center, and only genuine spare parts must be used.
  - 1)If the appliance is Frost Free.
  - 2)If the appliance contains freezer compartment.

**Note:** Children aged from 3 to 8 years are allowed to load and unload refrigerating appliances.(This clause applies only to the EU region.)

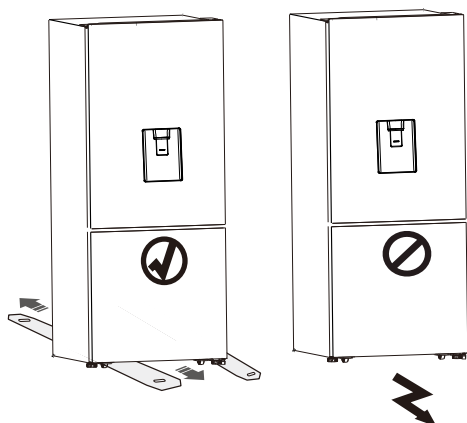
## Installing your new appliance

Before using the appliance for the first time, you should be informed of the following tips.

### Warning!

For proper installation, this refrigerator must be placed on a level surface of hard material that is the same height as the rest of the flooring. This surface should be strong enough to support a fully loaded refrigerator.

The rollers, which are not castors, should be only used for forward or backward movement. Moving the refrigerator sideways may damage your floor and the rollers.

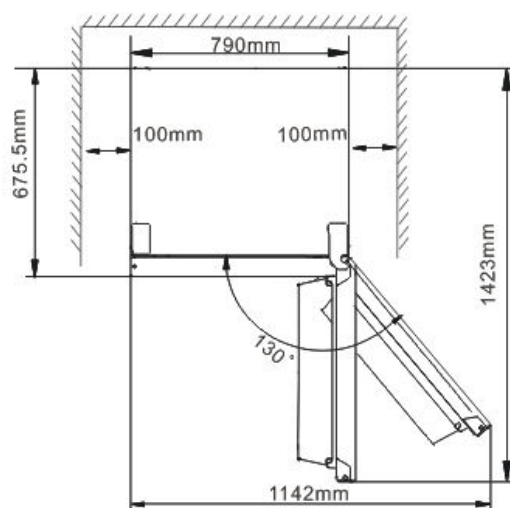
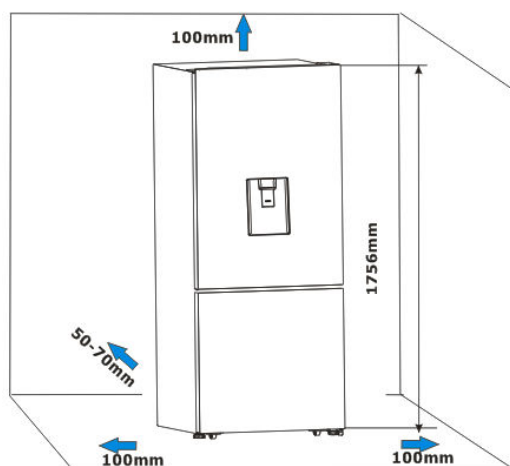


### Ventilation of appliance



In order to improve efficiency of the cooling system and save energy, it is necessary to maintain good ventilation around the appliance for the dissipation of heat. For this reason, sufficient clear space should be available around the refrigerator.

**Suggest:** It is advisable for there to be 50-70mm of space from the back to the wall, at least 100mm from its top, at least 100mm from its side to the wall and a clear space in front to allow the doors to open 130°. As shown in follow diagrams.



### Note:

- This appliance performs well within the climate class from SN to T showed in the table below. It may not work properly if being left at a temperature above or below the indicated range for a long period.

Climate class	Ambient temperature
SN	+10°C to +32°C
N	+16°C to +32°C
ST	+16°C to +38°C
T	+16°C to +43°C

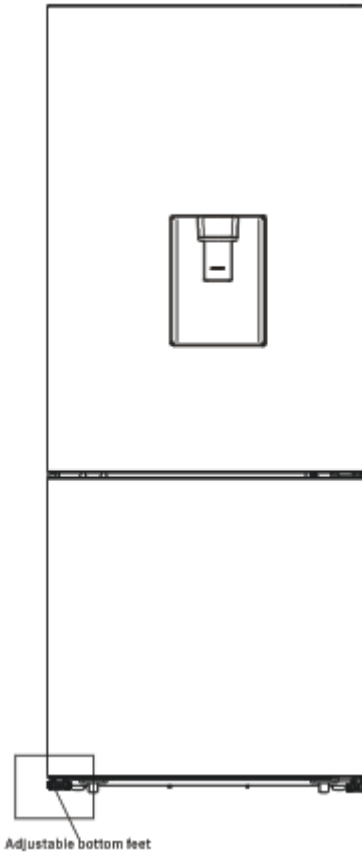
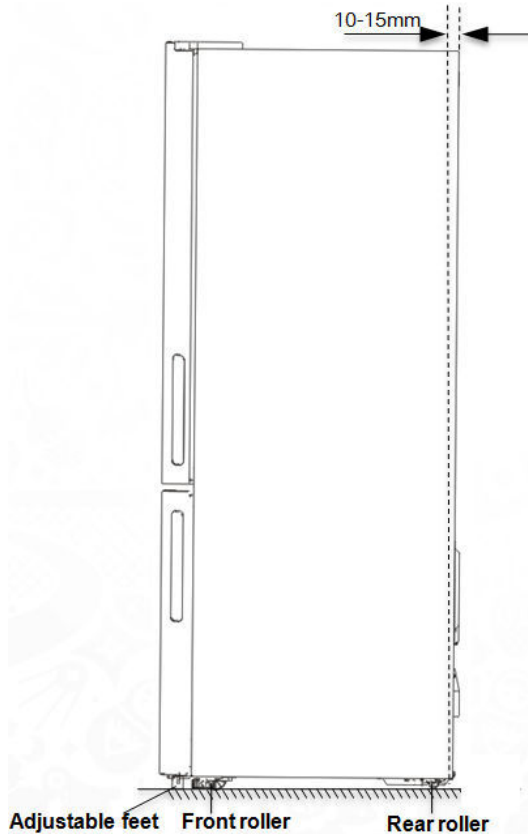
- Stand your appliance in a dry place to avoid high moisture.

- Keep the appliance out of direct sunlight, rain or frost. Stand the appliance away from heat sources such as stoves, fires or heaters.



### Leveling of appliance

- For sufficient leveling and air circulating in the lower rear section of the appliance, the bottom feet may need to be adjusted. You can adjust them manually by hand or by using a suitable spanner.
- To allow the doors to self-close, tilt the top backwards by 10-15mm.

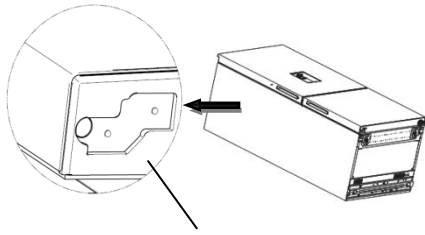


### Note:

- If required you may lay the refrigerator on its back in order to gain access to the base, you should rest it on soft foam packaging or similar material to avoid damaging the backboard of the refrigerator.

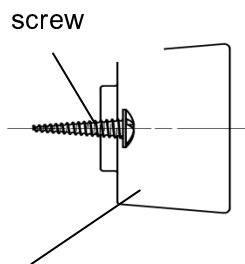
- There is no need to install these accessories under normal usage. Only under the extreme circumstances, that is opening the door about 90 degree, this refrigerator may take risk of tipping. Then rubber supporting pad should be fastened to the lower base cover to steady this appliance.

1. Tilt appliance to find screw hole on the left of lower base cover.



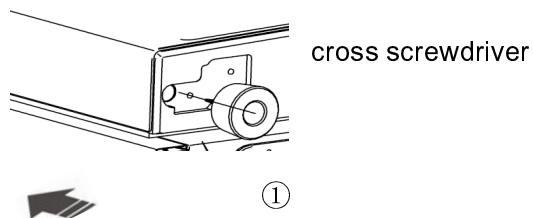
lower base cover

2. Put screw into the hole or rubber supporting pad.

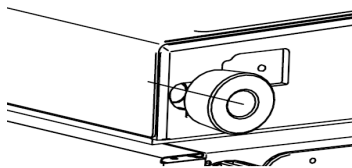


rubber supporting pad

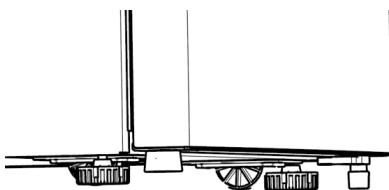
3. Make screw in alignment with the hole on lower base cover. Fasten rubber supporting pad to the base cover firmly by a cross screwdriver (self-provided).



①



②









③

## Reversing the door

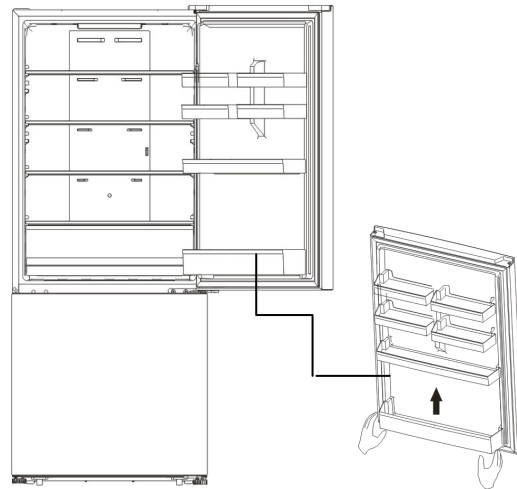
The side at which the door opens can be changed, from the right side (as supplied) to the left side if required.

Warning! When reversing the door, the appliance must not be connected to the mains. Make sure that the plug is removed from the mains socket.

Additional parts (in the plastic bag)	
	
Left Hinge	Left Hinge Cover
	
Allen Wrench(4mm)	Left Middle Hinge
	
Left Stop Block*2	Left Door Stopper*2

**Note:** If required, the refrigerator may be positioned on its back in order to gain access to the base, it should be rested on soft foam packaging or similar material to avoid damaging the backboard of the refrigerator. To reverse the door, the following steps are recommended.

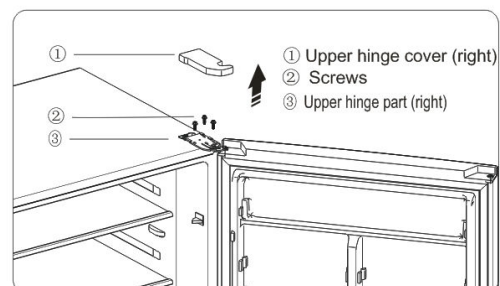
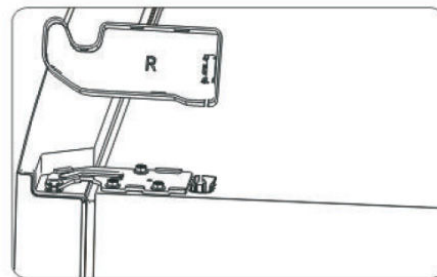
1. Stand the refrigerator upright. Open the door to **remove** all door racks (to avoid damage) and then close the door.



### Caution!

slightly squeeze the door rack from two sides towards the center and inside of the door rack, then move it upward when taking out the upper rack and lower rack.

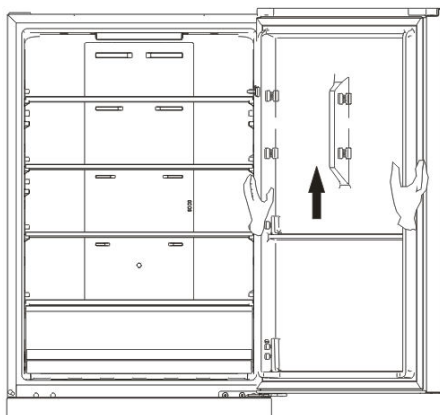
2. Remove right upper hinge cover ① on top of the cabinet. Remove the 3 screws ② used for fixing the right upper hinge part (see picture below) and dismount the upper hinge parts ③.



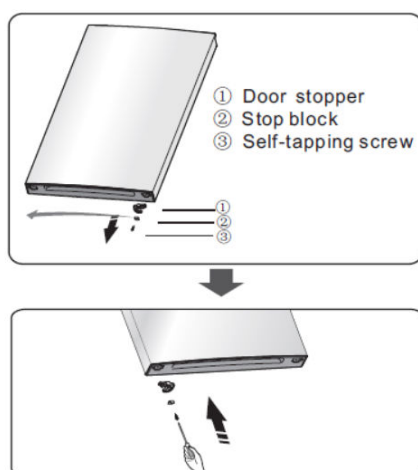
3. Remove screw cover from the left-front corner of cabinet with flat head screwdriver and install screw cover-right to the right front corner. Put the upper

hinge cover(right) and upper hinge part (right) into the plastic bag.

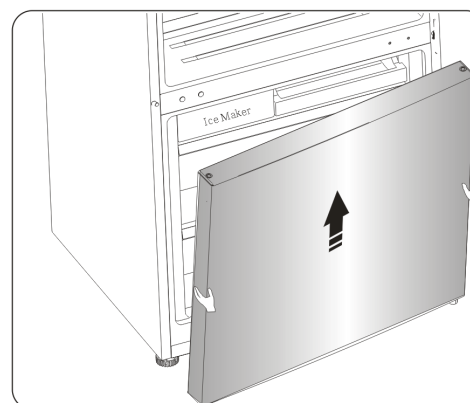
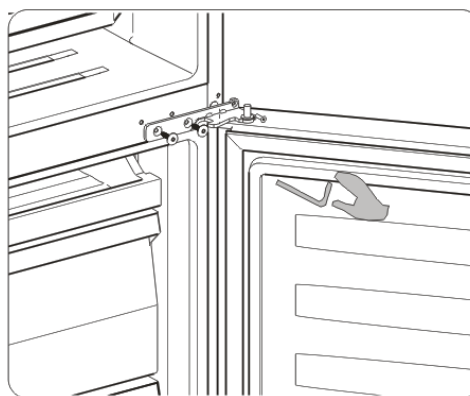
4. Remove the upper door from the middle hinge by carefully lifting the door straight up.



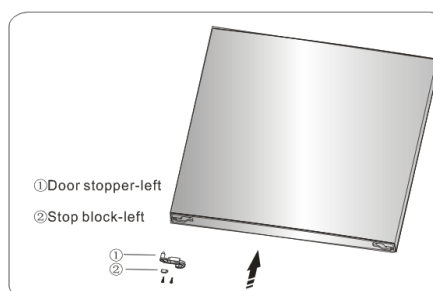
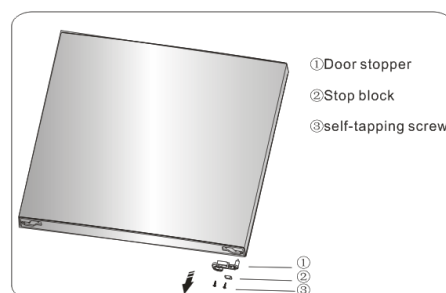
5. Place the upper door on a smooth surface with its panel upwards. Loosen screw ③ and take down part ② and part ①, Install replacement door stopper-left provided (in the plastic bag attached) and left stop block to the left side with screw ③. Conserve part ① and ② with the appliance for future reference.



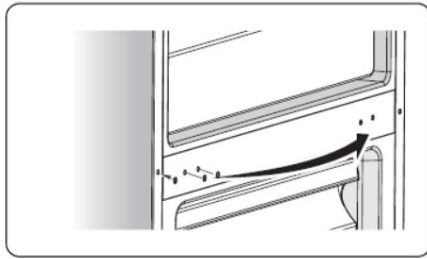
6. Use the Allen wrench(provided in the plastic bag) to loosen screws used to fix the right middle hinge and remove right middle hinge. Then remove the lower door.



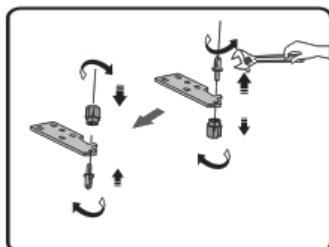
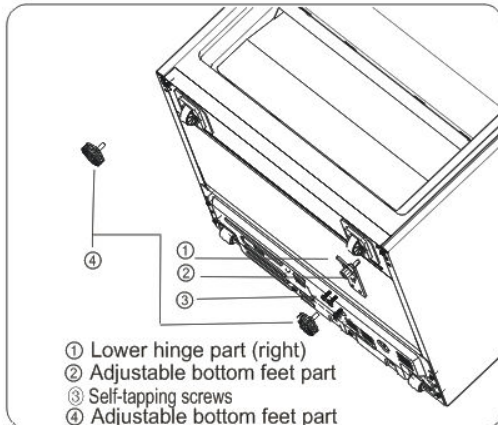
7. Place the lower door on a smooth surface with its panel upwards. Loosen screw ③ and dismount part ② and part ①, Install replacement door stopper-left provided (in the plastic bag) and left stop block to the left side with screw ③. Keep part ① and ② with the appliance for future reference.



8. Change screw hole covers and screw on middle cover plate from left to right (as shown in figure below).

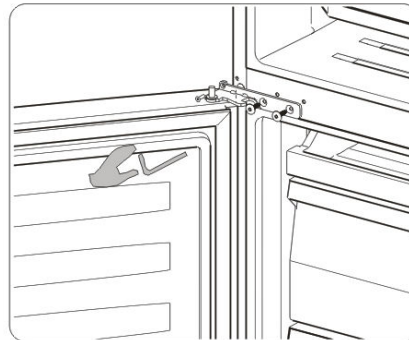
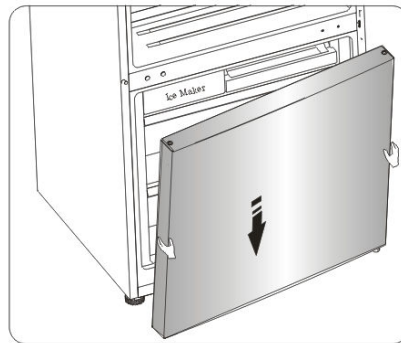


9. Lie the refrigerator backwards, Remove ④ (right), Remove three self-tapping screws from the lower hinge part(right). Loosen the lower hinge axis then install it on the reverse hole site, and tighten into position(change it into left hinge part). Remove the lower hinge part to the left-bottom corner of the cabinet, Then fix it with 3 screws, finally install part ④ on the left-bottom and right-bottom of cabinet.

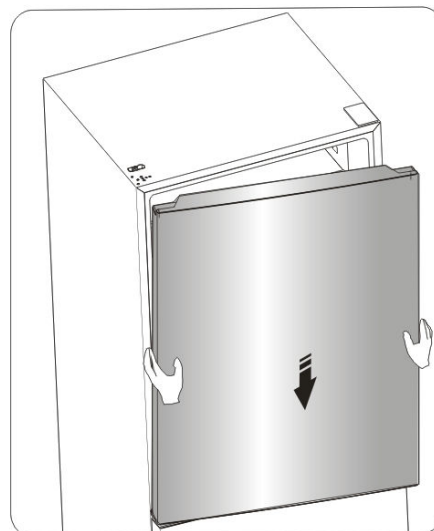


10. Stand the refrigerator upright and carefully slot the lower door onto the lower hinge pin and hold in position. install middle hinge-left (in the plastic

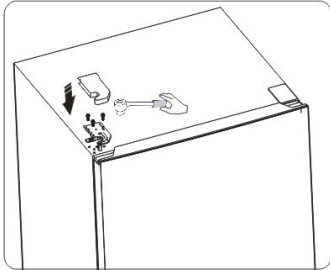
bag) ensuring the lower door is secured in place.



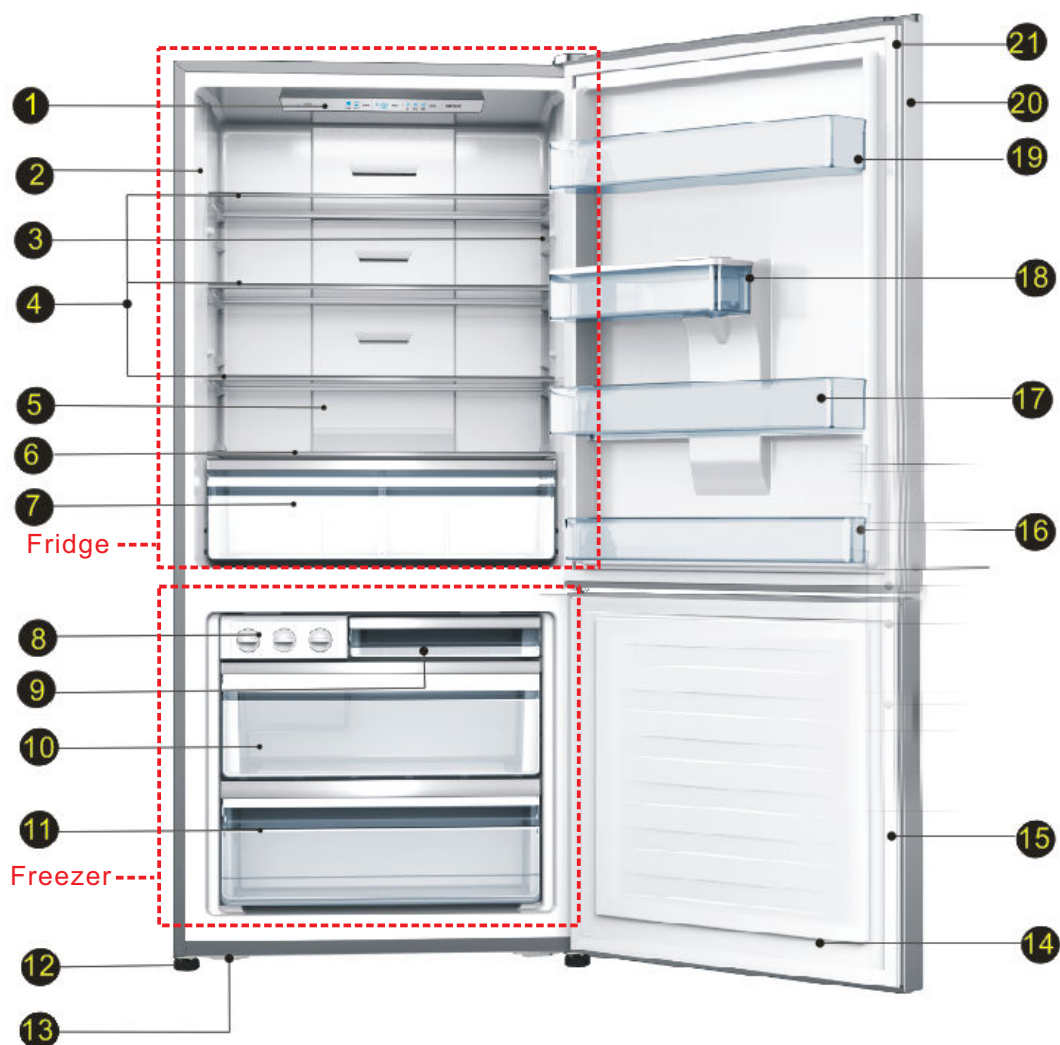
11. Carefully slot the upper door onto the middle hinge pin and hold in position. Move the upper door to an appropriate position, adjust left upper hinge(in the plastic bag) and upper door, then fit the hinge pin into the hinge hole at the top and the door to secure the door in place. Then fix the upper hinge part with screws (Please carefully hold upper door by hand when installing).



12. Assemble the left hinge cover provided(in the plastic bag) to match the hinge, install the door racks to original position. Keep the right hinge cover with the appliance for future reference.



## Description of the appliance



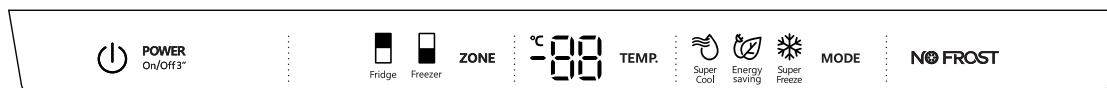
- |                 |                          |                  |                 |
|-----------------|--------------------------|------------------|-----------------|
| ① Control panel | ⑦ Crisper                | ⑬ Wheel          | ⑲ Up Rack       |
| ② Cabinet       | ⑧ Twist ice tray         | ⑭ Freezer Door   | ⑳ Fridge Door   |
| ③ Door switch   | ⑨ Upper freezer drawer   | ⑮ Freezer Gasket | ㉑ Fridge Gasket |
| ④ Glass shelf   | ⑩ Middle freezer drawer  | ⑯ Low Rack       |                 |
| ⑤ Wind Chanel   | ⑪ Lower freezer drawer   | ⑰ Middle Rack    |                 |
| ⑥ Crisper Cover | ⑫ Adjustable bottom foot | ⑱ Water Tank     |                 |

### Note !

- Due to unceasing modification of our products, your refrigerator may be slightly different from this instruction manual, but its functions and using methods remain the same.
- To get the best energy efficiency of this product, please place all shelves, drawers and baskets on their original position as the illustration above.

## Display Controls

Use your appliance according to the following guidelines, your appliance has functions as control panel shown in the pictures below.




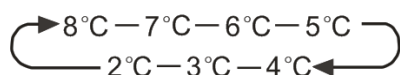
### Controlling the temperature

We recommend that when you start your refrigerator for the first time, the temperature for the refrigerator is set to 4°C and the freezer is set to -18°C. If you want to change the temperature, follow the instructions below.


Caution! When you set a temperature, you set an average temperature for the whole refrigerator cabinet. Temperatures inside each compartment may vary from the temperature displayed on the panel, depending on how much food you store and where you place them. Ambient temperature may also affect the actual temperature inside the appliance.

#### 1. Fridge

 Press the “ZONE” button until the “Fridge” icon light up, then press the “TEMP.” button to set fridge temperature between 8°C and 2°C as needed, and control panel will display corresponding figures according to the following sequence.




#### 2. Freezer

 Press the “ZONE” button until the “Freezer” icon light up, then press the “TEMP.” button to set freezer temperature between -14°C and -24°C as needed, and control panel will display corresponding figures according to the following sequence.




#### 3. Super Cool

 Super Cool can refrigerate the food quicker and keep food fresh for a longer period. This is useful to activate before inserting a large amount of warm/room temperature food.


- Press the “MODE” button to activate this function. The “Super Cool” icon will be illuminated and the fridge temperature indicator will display 2°C.
- Super Cool will automatically turn off after 3 hours.
- When Super Cool function is on you can turn it off by pressing the “MODE” or setting fridge temperature. To manually turn off the Super Cool function, the fridge temperature setting will revert back to the previous setting.

#### 4. Energy saving

 Press the “MODE” button to turn on the Energy saving function, The “Energy saving” icon will be illuminated.

- When the Energy saving function is on, the temperature of fridge is automatically switched to 6°C and the temperature of freezer is automatically switched to -17°C.
- When Energy saving function is on you can switch it off by pressing the “MODE” or “TEMP.” button and the refrigerator temperature setting will revert back to the previous setting.

#### 5. Super Freeze

 Super Freeze will quickly lower the temperature within the freezer so food will freeze faster



than usual. This feature also helps to keep vitamins and nutrition of fresh food fresh for longer period.

- Press the “MODE” button to activate this function. The “Super Freeze” icon will be illuminated and the temperature for the freezer is set to  $-24^{\circ}\text{C}$ .
- Super Freeze will automatically turn off after 52 hours.
- When Super Freeze function is on you can turn it off by pressing the “MODE” or setting freezer temperature. To manually turn off the Super Freeze function, the freezer temperature setting will revert back to the previous setting.

**NOTE:** When you selecting the Super Freeze function, ensure there are no bottled or canned drinks (especially carbonated drinks) in the freezer compartment. Bottles and cans may explode.

## 6. POWER



POWER  
On/Off 3"

Press and hold the “POWER” button for three seconds to turn the power function on or off. When the power function is on, the icon lights and the display board will show “OF”. If no buttons have been pressed, the display board will turn off about 1 minute later.

- If you want to turn off the power function, make sure the display board is lighting up. If not, you can press any button to light up the display board.

**NOTE:**

When the power function is on, the refrigerator stops cooling.

## 7. Door Alarm

- When the door of fridge is open over 2 minutes, the control panel will show “dr”, and the door alarm will stop about 8 minutes later.
- To save energy, do not keep the door open for a long time when using the refrigerator. In case of door alarm, it can be turned off by closing the doors.

## Using your appliance

Your appliance has the accessories as the “Description of the appliance” showed in general, with this part instruction you can have the right way to use them. We recommend that you read through them carefully before using the appliance.

### Door rack

It is suitable for the storage of canned liquid, bottled drinks and packed food, etc. Do not place too many heavy things in the racks.

### Shelf in Refrigerator chamber

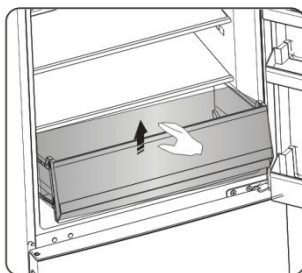
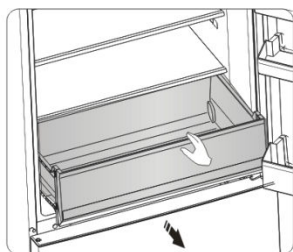
1. There are shelves in refrigerator chamber, and they can be taken out to be cleaned.



2. The crisper is suitable for storage of vegetables and fruit, etc.

Firstly Pull the crisper out in level, Secondly tip up it then you can take out the crisper.

According to the opposite sequence you can position the crisper rightly.



### Freezer chamber

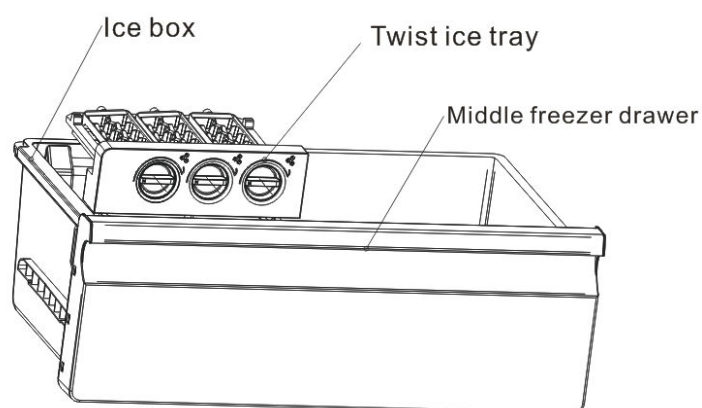
The freezer chamber is suitable for storage of foods required to be frozen, such as meat, ice.

**Caution!** Never close the freezer door while the drawers, installation bracket, ice tray are extended. It may damage the unit. Ensure that drink bottles are not left in the freezer for a longer time than needed as freezing liquid may cause the bottle to break.

### Twistable ice tray

Twistable ice tray produce and store abundant ice cubes.

1. Pull out the twistable ice tray from the installation bracket.
2. Fill with drinking water below the maximum level mark.
3. Place the filled ice tray back to bracket.
4. Await for around 3 hours, twist the knobs clockwise and the ice will drop into the ice box below.



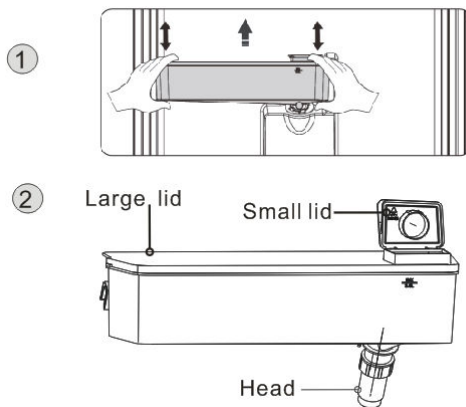
### Water Dispenser

The water dispenser, located in fridge door, is used for storing drinking water. This feature provides chilled water easily without opening refrigerator. You should be informed of following tips.

#### ●Before using

Please clean the water dispenser parts before using this appliance for the first time.

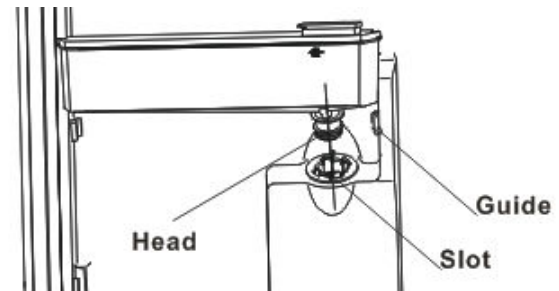
1. Hold two sides of the water tank tightly, then pull up the water tank carefully by shaking up and down.
2. Unscrew the head, then clean it, and the inside of water tank (including large lid and small lid).
3. Dry it in natural way or using a dryer.



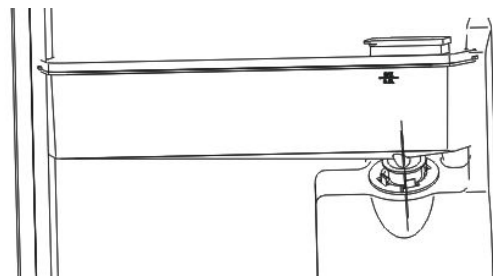
#### ●Assembling

After cleaning, please assemble these parts together, with reverse sequence of cleaning procedure; and then fit them on the door according to the following procedure.

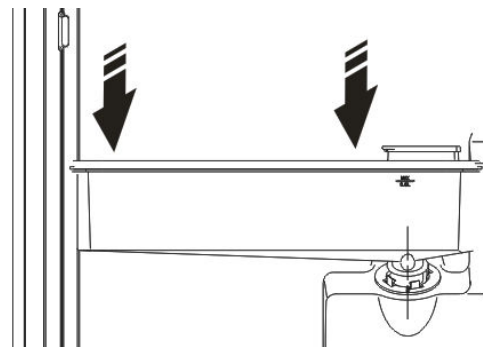
1. Insert the head into the hole on the door.
2. Fit the tank along the guides on the door.
3. Press down on the two side of the tank.
4. When you hear a click sound, that means the installation is completed.



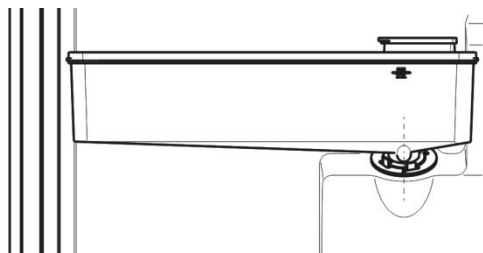
①



②



③



④

#### ●Filling water

Before you fill the drinking water into the water tank, ensure that the water tank is steady and in a correct position.

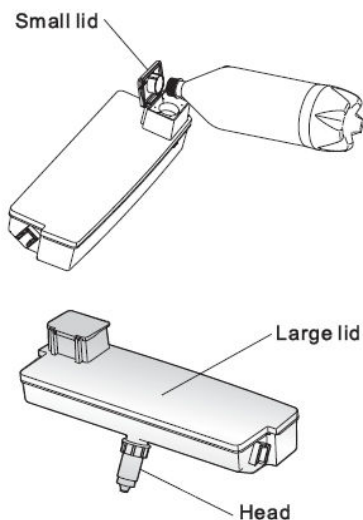
#### Caution!

Fill with water up to 3.5L (which is

suggested), and not above the level. Otherwise, it may overflow when the lid is close.

We recommend that you fill the water by the following ways.

Open the small lid by rotating it and fill water from the inlet of the large lid. Please remember to rotate the small lid back to its original position when finish filling water.

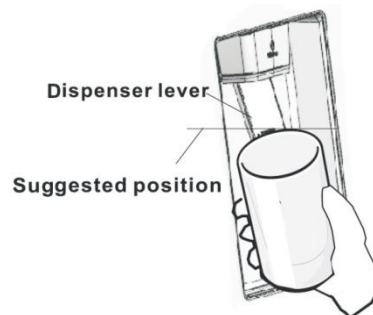


### Warning!

- Don't touch other parts when filling water, which may cause water leakage.
- Other beverage (milk, juice, carbonated beverage *etc.*) were not suggested to be filled in except for drinking water, especially beverage including particles (which may result in function failure).
- Hot water was forbidden to be filled into the water tank.

### ●Receiving water

You should use the correct cups to receive water underneath the water dispenser.

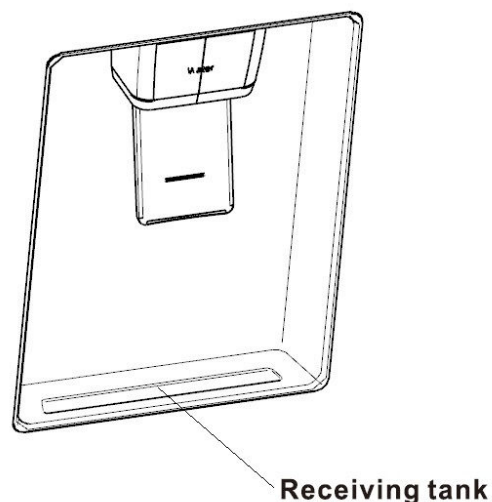


### Warning!

- Don't push the water dispenser lever forward without a cup below since it may cause water spilling.
- To avoid cold air leaking out from cabinet, keep the water dispenser parts (especially the water storage box and head) still be installed even if the water dispenser was out of use.

### ●Cleaning

1. Put the water tank out of the door carefully, and then wash the tank, lid, and head lightly in water.
2. After you have successfully cleaned the appliance, you should dry it by natural drying or using the dryer.
3. If you have used the water dispenser for many times, the water in the receiving tank may drop on the floor, which may make your floor wet, and you should clean the tank with dry towel regularly before overflow.



## Cleaning and care

For hygienic reasons the appliance (including exterior and interior accessories) should be cleaned regularly (at least every two months).

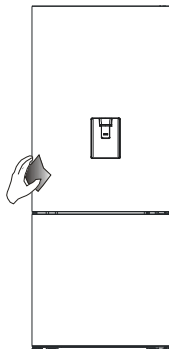
### Warning!

The appliance must not be connected to the mains during cleaning as there is a danger of electrical shock! Before cleaning switch the appliance off and remove the plug from the mains socket.

### Exterior cleaning

Wipe the control panel with a clean, soft cloth.

- Spray water onto the cleaning cloth instead of spraying directly on the surface of the appliance. This helps ensure an even distribution of moisture to the surface.
- Clean the doors, handles and cabinet surfaces with a mild detergent and then wiped dry with a soft cloth.



### Caution!

- Don't use sharp objects as they are likely to scratch the surface.
- Don't use Thinner, Car detergent, Clorox, ethereal oil, abrasive cleansers or organic solvent such as Benzene for cleaning. They may damage the surface of the appliance and may cause fire.

### Interior cleaning

You should clean the appliance interior regularly. It will be easier to clean when food stocks are low. Wipe the inside of the fridge freezer with a weak solution of bicarbonate of soda, and then rinse with

warm water using a wrung-out sponge or cloth. Wipe completely dry before replacing the shelves and baskets. Thoroughly dry all surfaces and removable parts before putting them back into place.



Although this appliance automatically defrosts, a layer of frost may occur on the freezer compartment's interior walls if the freezer door is opened frequently or kept open too long. If the frost is too thick, choose a time when the freezer is nearly empty and proceed as follow:

1. Remove existing food and accessories baskets, unplug the appliance from the mains power and leave the doors open. Ventilate the room thoroughly to accelerate the process.
2. When defrosting is completed, clean your freezer as described above.

### Caution!

Do not use sharp objects to remove frost from the freezer compartment. Only after the interior is completely dry should the appliance be switched back on and plugged back into the mains socket.

### Door seals cleaning

Take care to keep door seals clean. Sticky food and drinks can cause seals to stick to the cabinet and tear when you open the door. Wash seal with a mild detergent and warm water. Rinse and dry it thoroughly after cleaning.

**Caution!** Only after the door seals are completely dry should the appliance be powered on.

#### **Replacing the LED light:**

Warning:

The LED light should be replaced by a competent person. If the LED light is

damaged, contact the customer helpline for assistance. To replace the LED light, the below steps can be followed:

1. Unplug your appliance.
2. Remove light cover by pushing up and out.
3. Hold the LED cover with one hand and pull it with the other hand while pressing the connector latch.
4. Replace LED light and snap it correctly in place.

## Helpful hints and tips

### **Energy saving tips**

We recommend that you follow the tips below to save energy.

- Try to avoid keeping the door open for long periods in order to conserve energy. Ensure the appliance is away from any sources of heat (Direct sunlight, electric oven or cooker etc)
- Don't set the temperature colder than necessary.
- Don't store warm food or evaporating liquid in the appliance.
- Place the appliance in a well ventilated, humidity free, room. Please refer to Installing your new appliance chapter.
- If the diagram shows the correct combination for the drawers, crisper and shelves, do not adjust the combination as this is designed to be the most energy efficient configuration.

### **Hints for fresh food refrigeration**

- Do not place hot food directly into the refrigerator or freezer, the internal temperature will increase resulting in the

compressor having to work harder and will consume more energy.

- Do cover or wrap the food, particularly if it has a strong flavor.
- Place food properly so that air can circulate freely around it.

### **Hints for refrigeration**

- Meat (All Types) Wrap in polythene food: wrap and place on the glass shelf above the vegetable drawer. Always follow food storage times and use by dates suggested by manufacturers.
- Cooked food, cold dishes, etc.: They should be covered and may be placed on any shelf.
- Fruit and vegetables: They should be stored in the special drawer provided.
- Butter and cheese: Should be wrapped in airtight foil or plastic film wrap.
- Milk bottles: Should have a lid and be stored in the door racks.

### Hints for freezing

- When first starting-up or after a period out of use, let the appliance run at least 2 hours on the higher settings before putting food in the compartment.
- Prepare food in small portions to enable it to be rapidly and completely frozen and to make it possible to subsequently thaw only the quantity required.
- Wrap up the food in aluminum foil or polyethylene food wraps which are airtight.
- Do not allow fresh, unfrozen food to touch the food which is already frozen to avoid temperature rise of the latter.
- Iced products, if consumed immediately after removal from the freezer compartment, will probably cause frost burns to the skin.
- It is recommended to label and date each frozen package in order to keep track of

the storage time.

### Hints for the storage of frozen food

- Ensure that frozen food has been stored correctly by the food retailer
- Once defrosted, food will deteriorate rapidly and should not be re-frozen. Do not exceed the storage period indicated by the food manufacturer.

### Switching off your appliance

If the appliance needs to be switched off for an extended period, the following steps should be taken prevent mould on the appliance.

1. Remove all food.
2. Remove the power plug from the mains socket.
3. Clean and dry the interior thoroughly.
4. Ensure that all the doors are wedged open slightly to allow air to circulate.

## Troubleshooting

If you experience a problem with your appliance or are concerned that the appliance is not functioning correctly, you can carry out some easy checks before calling for service, please see below.

**Warning!** Don't try to repair the appliance yourself. If the problem persists after you have made the checks mentioned below, contact a qualified electrician, authorized service engineer or the shop where you purchased the product.

Problem	Possible cause & Solution
Appliance is not working correctly	Check whether the power cord is plugged into the power outlet properly.
	Check whether the "Power" function is on by pressing the "power" button for 3 seconds.
	Check the fuse or circuit of your power supply, replace if necessary.
	It is normal that the freezer is not operating during the defrost cycle, or for a short time after the appliance is switched on to protect the compressor.

Odors from the compartments	<p>The interior may need to be cleaned</p> <p>Some food, containers or wrapping cause odors.</p>
Noise from the appliance	<p>The sounds below are quite normal:</p> <ul style="list-style-type: none"> <li>•Compressor running noises.</li> <li>•Air movement noise from the small fan motor in the freezer compartment or other compartments.</li> <li>•Gurgling sound similar to water boiling.</li> <li>•Popping noise during automatic defrosting.</li> <li>•Clicking noise before the compressor starts.</li> </ul> <p>Other unusual noises are due to the reasons below and may need you to check and take action:</p> <ul style="list-style-type: none"> <li>•The cabinet is not level.</li> <li>•The back of appliance touches the wall.</li> <li>•Bottles or containers fallen or rolling.</li> </ul>
The motor runs continuously	<p>It is normal to frequently hear the sound of the motor, it will need to run more when in following circumstances:</p> <ul style="list-style-type: none"> <li>•Temperature setting is set colder than necessary</li> <li>•Large quantity of warm food has recently been stored within the appliance.</li> <li>•The temperature outside the appliance is too high.</li> <li>•Doors are kept open too long or too often.</li> <li>•After your installing the appliance or it has been switched off for a long time.</li> </ul>
A layer of frost occurs in the compartment	<p>Check that the air outlets are not blocked by food and ensure food is placed within the appliance to allow sufficient ventilation. Ensure that door is fully closed. To remove the frost, please refer to the “Cleaning and care” chapter.</p>
Temperature inside is too warm	<p>You may have left the doors open too long or too frequently; or the doors are kept open by some obstacle; or the appliance is located with insufficient clearance at the sides, back and top .</p>
Temperature inside is too cold	<p>Increase the temperature by following the “Display controls” chapter.</p>
Doors can't be closed easily	<p>Check whether the top of the refrigerator is tilted back by 10-15mm to allow the doors to self close, or if something inside is preventing the doors from closing.</p>



## Disposal of the appliance

It is prohibited to dispose of this appliance as household waste.


### Packaging materials

Packaging materials with the recycle symbol are recyclable. Dispose of the packaging into a suitable waste collection container to recycle it.

### Before disposal of the appliance

1. Pull out the mains plug from the mains socket.
2. Cut off the power cord and discard with the mains plug.

**Warning!** Refrigerators contain refrigerant and gases in the insulation. Refrigerant and gases must be disposed of professionally as they may cause eye injuries or ignition. Ensure that tubing of the refrigerant circuit is not damaged prior to proper disposal.

<b>Correct Disposal of this product</b>	
	<p>This symbol on the product or in its packing indicates that this product may not be treated as household waste. Instead, it should be taken to the appropriate waste collection point for the recycling of electrical and electronic equipment. By ensuring this product is disposed of correctly, you will help prevent potential negative consequences for the environment and human health, which could otherwise be caused by the inappropriate waste handling of this product. For more detailed information about the recycling of this product, please contact your local council your household waste disposal service, or the shop where you purchased the product.</p>

To avoid contamination of food, please respect the following instructions

- Opening the door for long periods can cause a significant increase of the temperature in the compartments of the appliance.
- Clean regularly surfaces that can come in contact with food and accessible drainage systems.
- Store raw meat and fish in suitable containers in the refrigerator, so that it is not in contact with or drip onto other food.
- Two-star frozen-food compartments are suitable for storing pre-frozen food, storing or making icecream and making ice cubes.
- One-, two- and three-star compartments are not suitable for the freezing of fresh food.

Order	Compartments TYPE	Target storage temp.[°C]	Appropriate food
1	Fridge	+2~+8	Eggs, cooked food, packaged food, fruits and vegetables, dairy products, cakes, Drinks and other foods which are not suitable for freezing.
2	(***)*-Freezer	≤-18	Seafood (fish, shrimp, shellfish), freshwater aquatic products and meat products (recommended time is 3 months – nutrition values and taste decrease with time), suitable for frozen fresh food.
3	***-Freezer	≤-18	Seafood (fish, shrimp, shellfish), freshwater aquatic products and meat products (recommended time is 3 months – nutrition values and taste decrease with time). Not suitable for freezing fresh food.
4	**-Freezer	≤-12	Seafood (fish, shrimp, shellfish), freshwater aquatic products and meat products (recommended time is 2 months – nutrition values and taste decrease with time). Not suitable for freezing fresh food.
5	*-Freezer	≤-6	Seafood (fish, shrimp, shellfish), freshwater aquatic products and meat products (recommended time is 1 month – nutrition values and taste decrease with time). Not suitable for freezing fresh food.
6	0-star	-6~0	Fresh pork, beef, fish, chicken, some packaged processed foods, etc. (Recommended to eat within the same day, preferably not later than 3 days). Partially packed/wrapped up encapsulated processed foods (non-freezable foods)
7	Chill	-2~+3	Fresh/frozen pork, beef, chicken, freshwater aquatic products, etc.(7 days below 0 °C and above 0 °C is recommended for consumption within that day, preferably no more than 2 days). Seafood (less than 0 for 15 days, it is not recommended to store above 0 °C)

---

8	Fresh Food	0~+4	Fresh pork, beef, fish, chicken, cooked food, etc. (Recommended to eat within the same day, preferably no more than 3 days)
9	Wine	+5~+20	red wine, white wine, sparkling wine etc.

Note: please store different foods according to the compartments or target storage temperature of your purchased products.

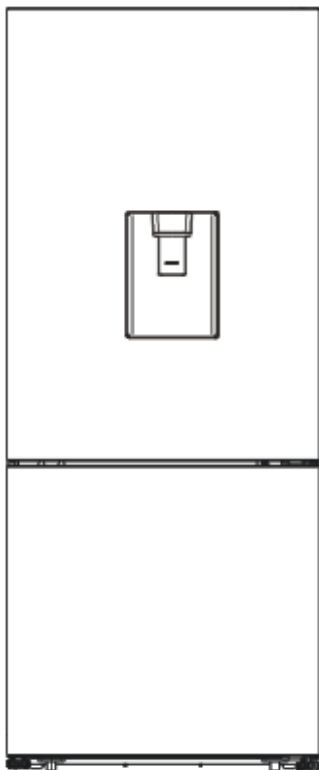
- If the refrigerating appliance is left empty for long periods, switch off, defrost, clean, dry, and leave the door open to prevent mould developing within the appliance.

**Water dispenser cleaning (special for water dispenser products):**

- Clean water tanks if they have not been used for 48 h; flush the water system connected to a water supply if water has not been drawn for 5 days.

**WARNING!** Food needs to be packed in bags before putting into the refrigerator, and liquids need to be packed in bottles or capped containers to avoid the problem that the product design structure is not easy to clean.

# Hisense



NUMÉRO DU TYPE: H610BS-WD  
H610BI-WD  
RD-60WC4SIB

## Contenus

Sécurité et mises en garde.....	2	Entretien et soin.....	21
Installer votre nouvel appareil.....	8	Conseils et astuces utiles.....	22
Description de l'appareil.....	15	Dépannage.....	23
Commandes d'affichages.....	16	Élimination de l'appareil électrique.....	25
Utilisation de l'appareil.....	18		



## Sécurité et mises en garde

Pour votre sécurité et pour une utilisation correcte de l'appareil, avant d'installer et d'utiliser l'appareil pour la première fois, lisez attentivement cette notice, y compris les mises en gardes et les conseils utiles qu'elle contient. Afin d'éviter d'endommager l'appareil et/ou de vous blesser inutilement, il est important que les personnes amenées à utiliser cet appareil aient pris entièrement connaissance de son fonctionnement ainsi que de ses fonctions de sécurité. Conservez ces consignes pour plus tard et pensez à les ranger à côté de l'appareil, afin qu'elles soient transmises avec ce dernier en cas de vente ou de déménagement. Cela permettra de garantir un fonctionnement optimal du système. Pour éviter tout risque de blessure, conservez cette notice. Le fabricant ne saurait en effet pas être tenu responsable en cas de mauvaise manipulation du système.

### Sécurité des enfants et des autres personnes vulnérables

- Selon les normes EN

Ce système peut être utilisé par des enfants âgés de 8 ans et plus et par des personnes à capacités réduites sur le plan physique, sensoriel ou mental, ou n'ayant pas appris à utiliser l'appareil, dans le cadre où ils sont encadrés par une personne informée et ayant conscience des risques impliqués. Les enfants ne doivent pas jouer avec l'appareil. Le nettoyage et l'entretien ne doivent en aucun cas être effectués par des enfants sans surveillance.

Selon les normes IEC

Cet appareil est déconseillé aux personnes souffrant d'handicap physiques, sensoriels ou mentaux, ou ayant un manque d'expériences et de connaissances jusqu'à ce qu'ils aient reçu des instructions concernant l'utilisation de l'appareil auprès de personnes responsables de leur sécurité.

- 
- Conservez tous les emballages hors de portée des enfants, car il existe un risque de suffocation.
  - Si vous décidez de mettre au rebut l'appareil, débranchez-le de la prise murale, coupez le câble de connexion (aussi proche de l'appareil que vous le pouvez) et retirez la porte afin d'empêcher les enfants de jouer avec et de se faire électrocuter ou de s'enfermer à l'intérieur.
  - Si l'appareil, doté d'un joint de porte magnétique, doit remplacer un autre appareil doté d'un loquet sur la porte ou sur le joint, vérifiez bien que le loquet est hors d'état de fonctionner avant de vous débarrasser de l'ancien appareil. Cela évitera de transformer cet appareil en piège pour les enfants.

### **Sécurité générale**



**ATTENTION !** Cet appareil est conçu pour fonctionner dans un foyer domestique et dans les environnements de type suivant

- locaux de cuisine et équipements vendus dans le commerce, environnements de travail et bureaux ;
  - structures de type Bed and Breakfast
  - bâtiments de ferme et hôtels, motels et autres organismes accueillant des clients ;
  - cuisine industrielle et autres applications non destinées à la revente
- **ATTENTION** — Ne rangez jamais de substances inflammables tels que des aérosols à l'intérieur de cet appareil, car elles pourraient s'y déverser.
  - **ATTENTION** — Si le cordon d'alimentation est endommagé, vous devez le remplacer immédiatement auprès de votre fabricant, ou d'un revendeur qualifié, afin d'éviter tout risque d'électrocution
  - **ATTENTION** — Maintenez les ventilations bien ouvertes, et vérifiez bien que l'air peut circuler par les ouvertures, surtout si l'appareil est encastré dans le mur.
  - **ATTENTION** — Etant donné que les systèmes mécaniques et autres équipements électriques accélèrent le processus de dégivrage, respectez l'environnement recommandé par le fabricant.
  - **ATTENTION** — N'endommagez pas le circuit de réfrigération.
  - **ATTENTION** — N'utilisez pas d'appareils électriques à l'intérieur du compartiment destiné à recevoir de la nourriture, sauf si ces derniers sont tolérés par le fabricant.
-

- 
- ATTENTION — Le système réfrigérant et isolant contiennent des gaz inflammables. Lorsque vous mettez le système au rebut, faites-le auprès d'un centre de collecte agréé. N'exposez jamais l'appareil aux flammes.
  - ATTENTION: Lors du positionnement de l'appareil, rassurez-vous que le cordon d'alimentation n'est pas coincé ou endommagé.
  - ATTENTION - Ne placez pas plusieurs prises de courant ou alimentations portables à l'arrière de l'appareil.

## Remplacement des lampes d'éclairage

- ATTENTION-Les lampes d'éclairage ne doivent pas être remplacées par l'utilisateur! Si les lampes d'éclairage sont endommagées, contactez le service d'assistance clientèle pour obtenir de l'aide.

Cet avertissement concerne uniquement les réfrigérateurs contenant des lampes d'éclairage

## Liquide réfrigérant

De l'isobutane réfrigérant (R600a) est utilisé dans le circuit réfrigérant du système ; Il s'agit d'un gaz naturel hautement inflammable, et donc dangereux pour l'environnement. Pendant les transports et l'installation du système, vérifiez qu'aucun des composants du circuit de réfrigération ne soit endommagé. Le réfrigérant (R600a) est un liquide inflammable.

- ATTENTION - Les réfrigérateurs contiennent du réfrigérant et des gaz dans l'isolation. Le fluide frigorigène et les gaz doivent être éliminés professionnellement, car ils peuvent causer des lésions oculaires ou un incendie. Rassurez-vous que les tubes du circuit de réfrigérant ne sont pas endommagés avant l'élimination appropriée de ces gaz.



**Attention : Risque d'incendie / matériaux inflammables**

Si le circuit de réfrigération était endommagé :

- Évitez les flammes nues et toute source d'inflammation.
- Ventilez bien la pièce où se trouve l'appareil.

---

Il est dangereux de modifier la composition de cet appareil, de quelque manière que ce soit.

Tout dommage fait au cordon peut provoquer un court-circuit, et/ou une électrocution.



## **Sécurité électrique**

1. Le cordon d'alimentation ne doit pas être rallongé.
2. Vérifiez bien que la prise murale n'est pas endommagée. Une prise murale en mauvais état pourrait entraîner une surchauffe du système et son explosion.
3. Vérifiez bien que vous pouvez accéder à la prise murale de l'appareil.
4. Ne tirez jamais sur le câble principal.
5. Si la prise murale est lâche, ne branchez pas le cordon. Il existe un risque d'électrocution ou d'incendie.
6. Vous ne devez jamais utiliser l'appareil si le cache de l'éclairage intérieur n'est pas en place.
7. Ce réfrigérateur fonctionne sur un courant à phase unique de 220~240V/50Hz. Si des variations de tensions sont constatées ou que la tension électrique dépasse la valeur conseillée, pour votre sécurité, vérifiez bien que le régulateur de tension automatique C.A supporte bien 350W de plus que l'appareil. Le réfrigérateur doit utiliser une prise murale spécifique plutôt qu'une prise regroupant d'autres appareils électriques. L'appareil doit être relié au sol selon les recommandations en vigueur.

## **Utilisation quotidienne**

- Ne stockez jamais de substances ou de liquides inflammables à l'intérieur de l'appareil ; cela provoquerait un risque d'exposition.
- Ne faites pas fonctionner d'autres appareils électriques à l'intérieur de cet appareil (mixeurs, turbines à glace électrique, etc).
- Lorsque vous débranchez l'appareil, tenez toujours la prise dans vos mains et ne tirez pas sur le cordon.
- Ne placez pas d'éléments chauds ni de composants en plastiques dans cet appareil.



- 
- Ne placez pas de produits alimentaires directement à la sortie d'air située au fond de l'appareil.
  - Rangez les aliments déjà emballés conformément aux consignes livrées par leur fabricant.
  - Cet appareil doit être utilisé et traité selon certaines règles spécifiques. Consultez les règles établies en matière de stockage.
  - Ne placez pas de boissons gazeuses ni de boissons carbonatées dans le compartiment de congélation, car cela exercerait une pression sur les bouteilles, qui pourraient exploser à l'intérieur de l'appareil.
  - Les aliments congelés peuvent brûler s'ils sortent directement du froid.
  - N'exposez pas l'appareil directement au soleil.
  - Conservez les bougies, luminaires et autres flammes nues éloignées de l'appareil, afin d'éviter les risques d'incendie.
  - Cet appareil est destiné à ranger des aliments et/ou des boissons domestiques traditionnelles, selon les consignes livrées avec le système. L'appareil est lourd. Soyez prudent lorsque vous le déplacez.
  - Ne retirez pas et ne touchez pas les éléments du congélateur si vous avez les mains mouillées/humides, car cela pourrait provoquer une abrasion de la peau et/ou des brûlures graves.
  - N'utilisez jamais lesocle, les tiroirs, les portes, et autres éléments similaires pour vous appuyer
  - Les aliments congelés ne doivent jamais être recongelés une fois qu'ils ont été décongelés.
  - Les bouteilles pourraient exploser. Ne consommez pas les glaçons formés directement par le congélateur, car vous pourriez vous brûler la bouche et les lèvres.
  - Pour éviter les chutes d'objets et empêcher de détériorer l'appareil, ne surchargez pas les compartiments de portes ni les tiroirs.

## **Attention !**

## **Nettoyage et entretien**

- 
- Avant tout entretien, débranchez l'appareil et coupez le courant.
  - Ne nettoyez pas l'appareil avec des objets métalliques, un système à vapeur, des huiles volatiles, des solvants organiques ou des composants abrasifs.
  - N'utilisez pas d'objets tranchants ou pointus pour retirer la glace. Utilisez un grattoir en plastique.

### **Information importante à propos de installation!**

- Pour que les branchements électriques soient corrects, suivez bien les consignes livrées dans ce manuel.
- Déballez l'appareil et vérifiez qu'il n'est pas endommagé visuellement. Ne branchez pas l'appareil si ce dernier est endommagé. Signalez tout dommage au point de vente où vous l'avez acheté. Dans ce cas, conservez l'emballage.
- Il est recommandé d'attendre au moins quatre heures avant de brancher l'appareil au courant, afin que le compresseur soit bien alimenté en huile.
- Une bonne circulation de l'air est nécessaire, afin d'éviter les risques de surchauffe. Pour que la ventilation soit suffisante, suivez bien les consignes d'installation fournies.
- Dans la mesure du possible, l'arrière de l'appareil ne doit pas être collé au mur pour éviter de toucher ou d'attraper des parties chaudes (compresseur, condenseur) pour éviter les risques d'incendie, suivez les instructions d'installation.
- L'appareil ne doit pas être situé à côté de radiateurs ou de feux de cuisson.
- Vérifiez bien que les prises sont accessibles une fois l'appareil installé.

### **Dépannage**

- Toute opération électrique doit être effectuée par un technicien qualifié et compétent dans le domaine.
- Cet appareil doit être dépanné par un Centre de Réparation Agréé, et seules des pièces d'origine doivent être utilisées.
  - 1) Si l'appareil ne contient pas de congélateur.
  - 2) Si l'appareil contient un congélateur.

**Remarque : Les enfants âgés de 3 à 8 ans sont autorisés à charger et décharger des appareils électriques réfrigérants. (Cette clause s'applique uniquement dans la région UE.)**

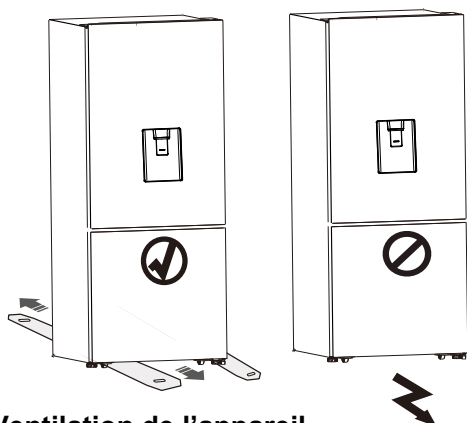
## Installer votre nouvel appareil

Avant l'utilisation de l'appareil pour la première fois, vous devez être informé des astuces suivantes:

### Attention!

Pour une installation appropriée, ce réfrigérateur doit être placé sur une surface à niveau conçue avec un matériel solide à la même hauteur que le sol. La dite surface doit être assez solide pour supporter le poids d'un réfrigérateur chargé.

Les roulettes qui ne sont pas couvertes, doivent être uniquement utilisées pour les mouvements en avant ou en arrière. Bouger le réfrigérateur de côté pourrait endommager votre sol et les roulettes.

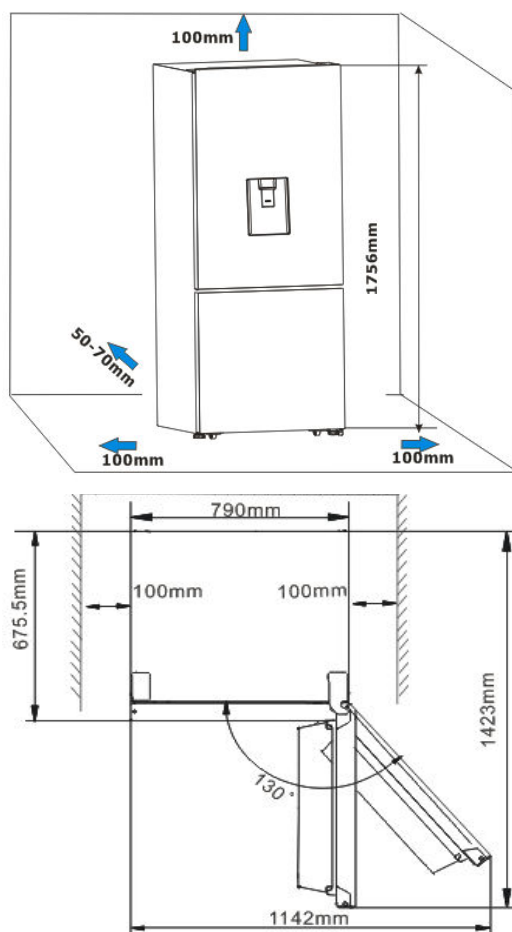


### Ventilation de l'appareil



Afin d'améliorer l'efficacité du système de réfrigération, et économiser en énergie, il est nécessaire de maintenir une bonne ventilation autour de l'appareil pour la dissipation de la chaleur. Pour cette raison, une espace vide suffisante doit être disponible autour du réfrigérateur.

**Recommandation:** Il est conseillé pour cela d'avoir un espace de 50 à 70 mm depuis l'arrière du mur, au moins 100 mm depuis le haut et au moins 100 mm depuis le côté du mur et un espace de dégagement à l'avant pour permettre aux portes d'ouvrir à 130°. Comme illustré dans l'image ci-dessous.



Remarque:

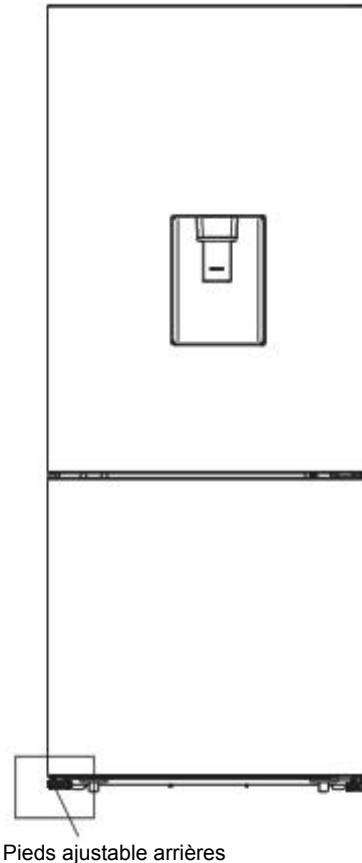
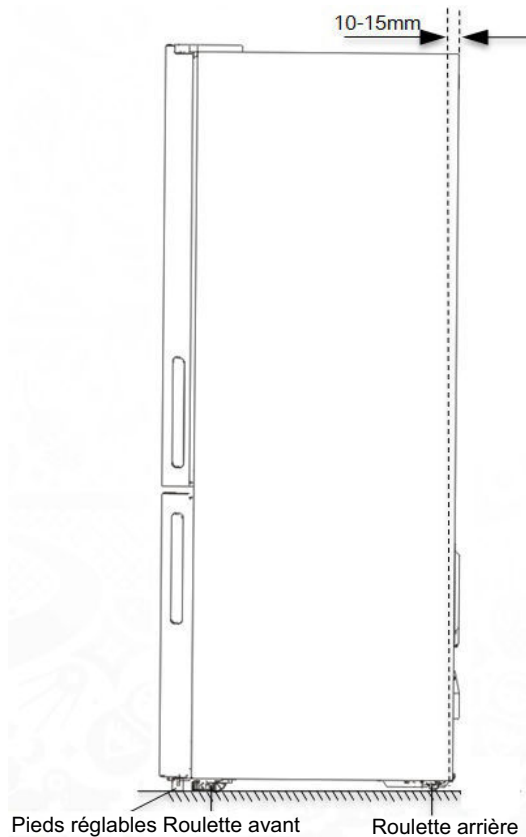
● Cet appareil électrique a de bonnes performances dans les classes de climat de SN à T montrées dans le tableau ci-dessous. Il pourrait ne pas fonctionner correctement s'il est exposé à une température en dessous ou au dessus de la plage indiquée ci-dessous pendant une longue période.

Classe climatique	Température ambiante
SN	+10°C à +32°C
N	+16°C à +32°C
ST	+16°C à +38°C
T	+16°C à +43°C

● Placez votre appareil dans un endroit sec pour éviter une grande humidité.  
 ● Gardez votre appareil à l'abri de la lumière du soleil, de la pluie et de la gelée. Gardez votre appareil à l'abri des sources de chaleur telle que le four, le feu ou les appareils de chauffage.

### Nivellement de l'appareil électrique

- Pour un nivellement et une circulation d'air suffisant dans la section arrière basse de l'appareil, les pieds du bas peuvent nécessiter d'être ajustés. Vous pouvez les ajuster manuellement à la main ou en utilisant une clé appropriée.
- Pour permettre à la porte de se fermer automatiquement, inclinez le dessus en arrière de 10-15mm.



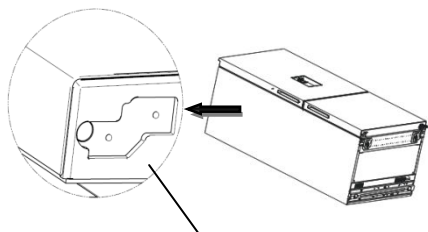
### Remarque:

- Si nécessaire, vous pouvez poser le réfrigérateur sur sa face arrière afin d'avoir accès à la base, vous devez le poser sur un emballage en mousse souple ou un matériau similaire pour éviter d'endommager le panneau arrière du réfrigérateur.

- Pas nécessaire d'installer ces accessoires en utilisation normale.

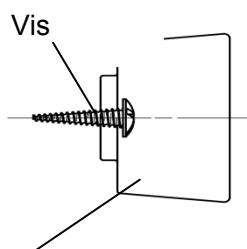
Ce n'est que dans les cas extrêmes, c'est-à-dire l'ouverture de la porte à environ 90 degrés, que le réfrigérateur risque de basculer. Il faut aussi installer un tampon de support en caoutchouc sur le couvercle de base inférieur pour stabiliser cet appareil.

1. Inclinez l'appareil pour trouver le trou à vis sur la gauche de la couverture de base inférieure.



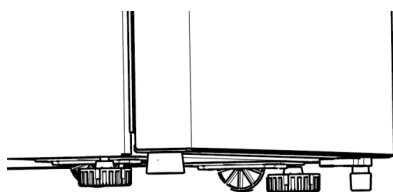
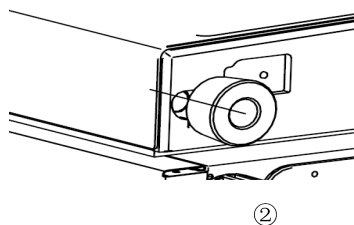
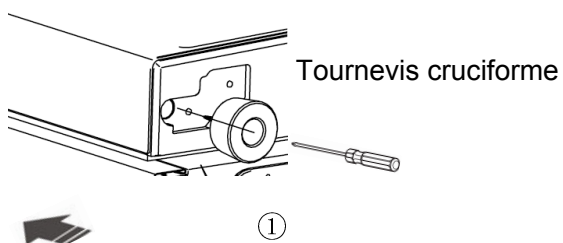
Couvercle du bas

2. Mettez la vis dans le trou du tampon de support en caoutchouc.



tampon de support en caoutchouc

3. Aalignez la vis avec le trou sur la couverture de base inférieure. Fixez le tampon de support en caoutchouc à la couverture de base fermement par un tournevis cruciforme (fourni par vous-même).









③

## Inversion de la porte

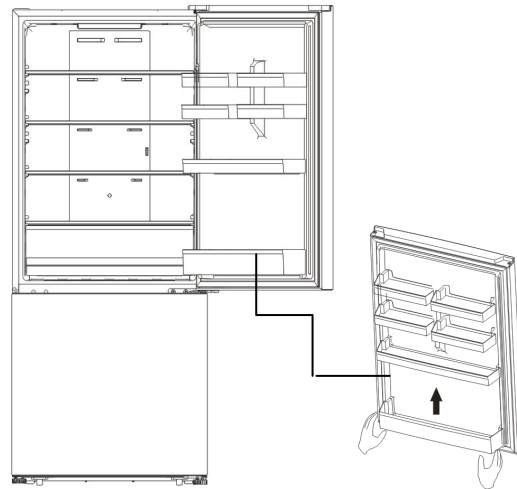
Le côté d'ouverture de la porte peut être changé, du côté droit (tel que fourni) vers le côté gauche, si nécessaire.

Attention ! Lors du changement du côté où la porte s'ouvre, l'appareil ne doit pas être sous tension. Assurez-vous que la fiche est retirée de la prise d'alimentation.

Pièces supplémentaires (dans le sac plastique)	
	
Charnière gauche	Couverture de charnière gauche
	
Clé Allen (4mm)	Charnière intermédiaire gauche
	
Bloc d'arrêt gauche *2	Butée de porte gauche *2

**Remarque:** Si nécessaire, le réfrigérateur peut être posé sur sa face arrière afin d'avoir accès à la base, il devrait être posé sur un emballage en mousse souple ou un matériau similaire pour éviter d'endommager le panneau arrière du réfrigérateur. Pour inverser la porte, les étapes suivantes sont recommandées.

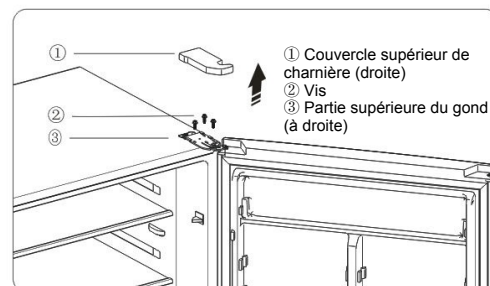
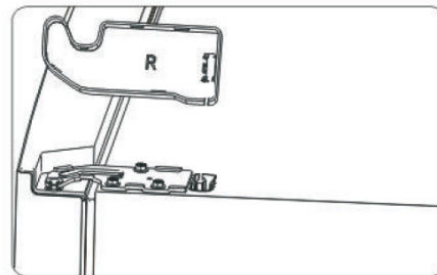
1. Tenez le réfrigérateur en position verticale. Ouvrez la porte pour retirer tous les balconnets (pour éviter de les endommager), puis fermez la porte.



### Mise en garde!

Veillez appuyer légèrement sur le support de porte des deux côtés vers le centre et à l'intérieur du support de porte, puis déplacez-le vers le haut lorsque vous retirez le balconnet supérieur et le balconnet inférieur.

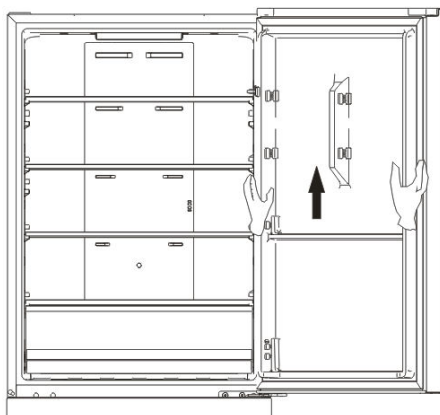
2. Retirez le couvercle de la charnière supérieure droite ① en haut du compartiment. Retirez les 3 vis ② utilisées pour fixer la charnière supérieure droite (voir la photo ci-dessous) et retirez les composants de la charnière supérieure ③.



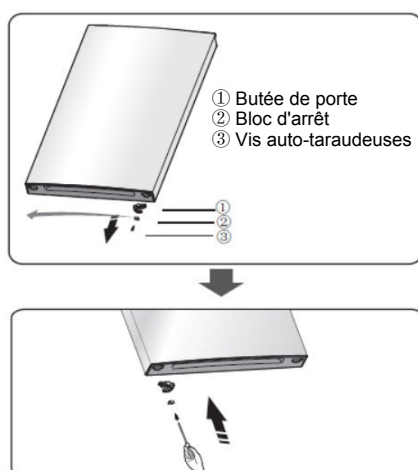
3. Retirez le couvercle de la vis du coin avant gauche du compartiment à l'aide d'un tournevis à lame fine et installez-le dans le coin avant droit. Mettez le couvercle de la charnière supérieure (droite) et la pièce de la charnière

supérieure (droite) dans le sac en plastique.

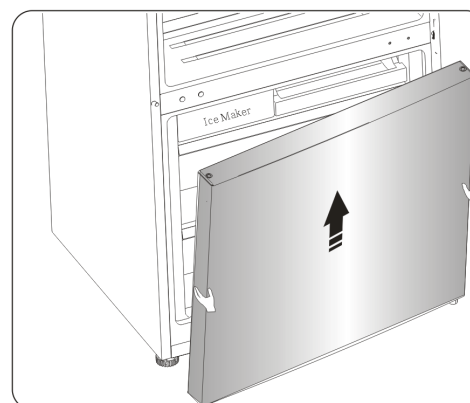
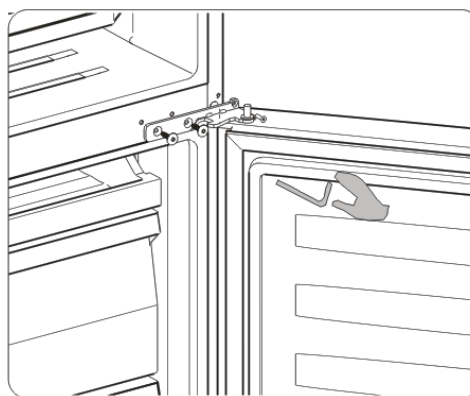
4. Retirez la porte supérieure de la charnière centrale en soulevant délicatement la porte vers le haut.



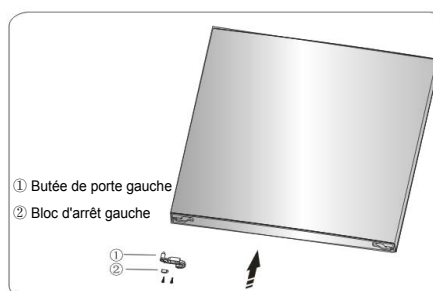
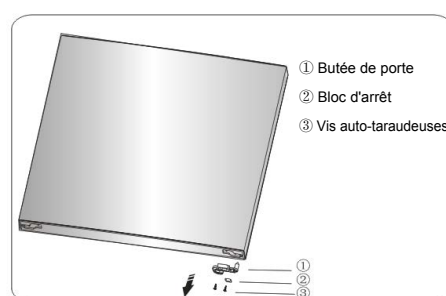
5. Placez la porte supérieure sur une surface lisse avec son panneau vers le haut. Desserrez la vis ③ et retirez les pièces ② et ①, installez la butée de porte de remplacement à gauche fournie (dans le sac en plastique attaché) et le bloc d'arrêt gauche sur le côté gauche à l'aide de la vis ③. Conservez la pièce ① et ② avec l'appareil pour référence ultérieure.



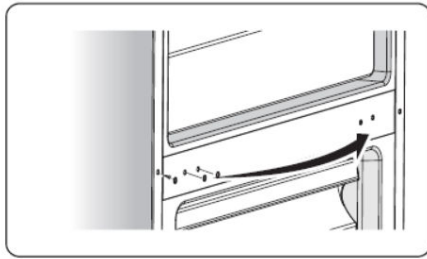
6. Utilisez la clé Allen (fournie dans le sac en plastique) pour desserrer les vis utilisées à fixer la charnière centrale droite et retirer la charnière centrale droite. Ensuite, retirez la porte inférieure.



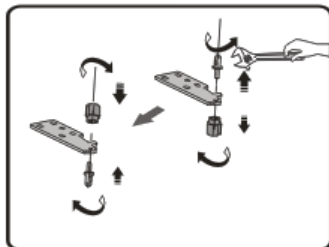
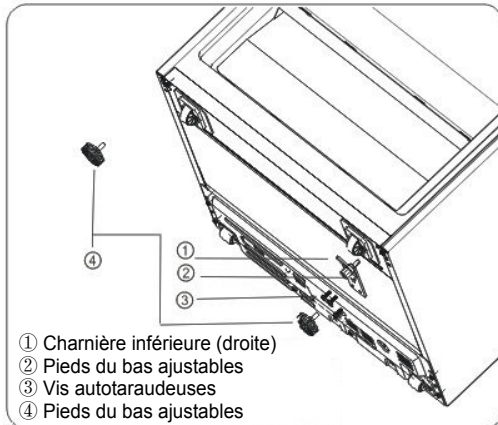
7. Placez la porte inférieure sur une surface lisse avec son panneau vers le haut. Desserrez la vis ③ et retirez les pièces ② et ①, installez la butée de porte de remplacement à gauche fournie (dans le sac en plastique) et le bloc d'arrêt gauche sur le côté gauche à l'aide de la vis ③. Conservez la pièce ① et ② avec l'appareil pour référence ultérieure.



8. Changez les couvercle des trous de vis sur la plaque centrale de gauche à droite (comme illustré ci-dessous).

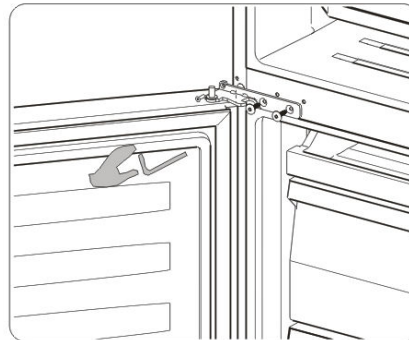
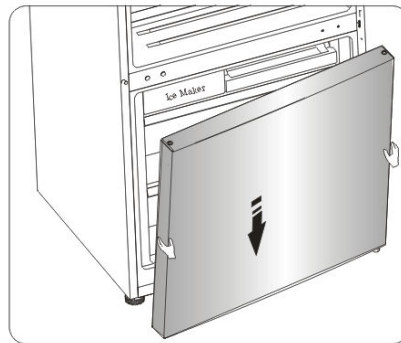


9. Couchez le réfrigérateur vers l'arrière, retirez la pièce ④ (droite), retirez les trois vis autotaraudeuses de la pièce de la charnière inférieure (droite). Desserrez l'axe de la charnière inférieure, puis installez-le sur le site du trou inversé et serrez-le en position (changez-le dans la charnière gauche). Retirez la pièce de la charnière inférieure dans le coin inférieur gauche du compartiment, puis fixez-la avec 3 vis, enfin installez la pièce ④ en bas à gauche et en bas à droite du compartiment.

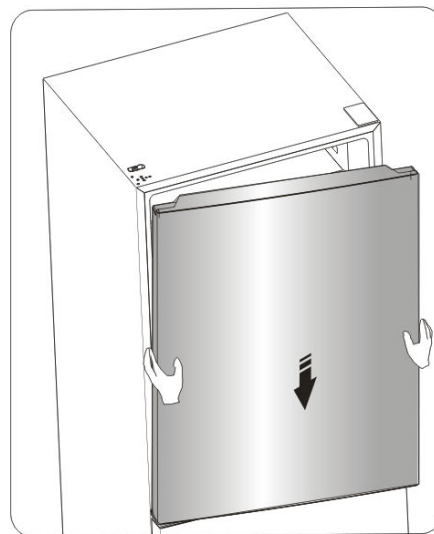


10. Redressez le réfrigérateur et insérez soigneusement la porte inférieure dans la goupille de la charnière inférieure et maintenez-la en place. Installez la charnière centrale gauche (dans le sac

en plastique) en garantissant que la porte inférieure est en bon place.

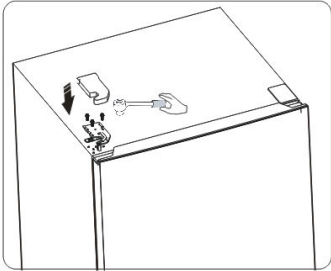


11. Insérez soigneusement la porte inférieure dans la goupille de la charnière intermédiaire et maintenez-la en place. Déplacez la porte supérieure à une position appropriée, ajustez la charnière supérieure gauche (dans le sac en plastique) et la porte supérieure, puis insérez la goupille de la charnière dans le trou de la charnière en haut et la porte pour assurer la porte en place. Puis fixez la pièce de la charnière supérieure avec des vis (Veuillez bien supporter la porte supérieure à la main lors de l'installation).

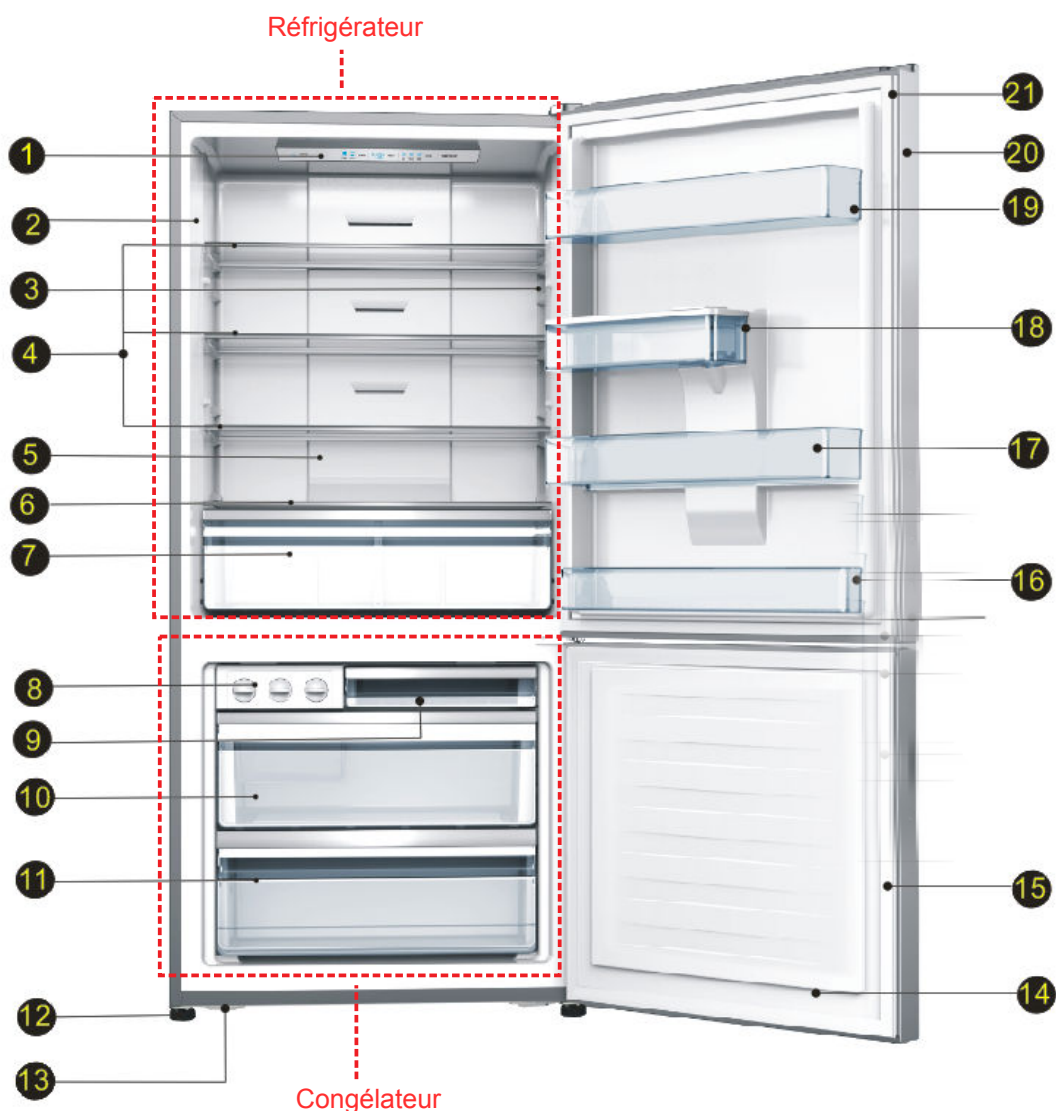




12. Assemblez le couvercle de la charnière gauche fourni (dans le sac en plastique) avec la charnière, puis installez les balconnets de porte dans leurs positions initiales. Gardez le couvercle de la charnière droite avec l'appareil pour pouvoir l'utiliser ultérieurement.



## Description de l'appareil



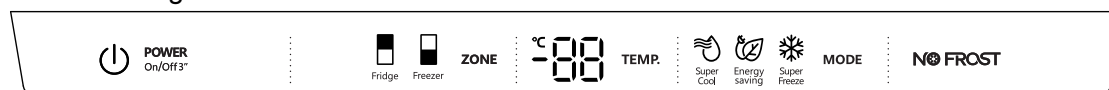
- |                            |  |                         |                           |
|----------------------------|--|-------------------------|---------------------------|
| 1 Panneau de contrôle      | 7 Bac à légumes et fruits              | 13 Roue                 | 19 Balconnet supérieur    |
| 2 Cabinet                  | 8 Bac à glaçons flexible               | 14 Porte Du Congélateur | 20 Porte du réfrigérateur |
| 3 Interrupteur de la porte | 9 Tiroir supérieur du congélateur      | 15 Joint du congélateur | 21 Joint du réfrigérateur |
| 4 Étagère en verre         | 10 Tiroir intermédiaire du congélateur | 16 Balconnet inférieur  |                           |
| 5 Canal de vent            | 11 Tiroir inférieur du congélateur     | 17 Panier intermédiaire |                           |
| 6 Couverture Antiquaire    | 12 Pieds réglables arrière             | 18 Réservoir D'eau      |                           |

### Remarque!

- En raison des modifications incessante de nos produits, votre réfrigérateur peut légèrement être différent mais les fonctions et méthodes d'utilisation restent les même.
- Pour obtenir un meilleur rendement énergétique de ce produit veuillez placer toute les étagères, tiroirs et paniers à leur position initial comme indiqué sur l'illustration ci – dessus.

## Commandes d'affichages

Utilisez votre appareil selon les consignes suivantes. Votre appareil possède les fonctions correspondantes comme affichées sur le panneau de contrôle présenté dans les images ci-dessous.



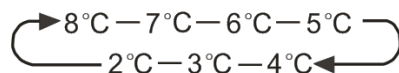
### Réglage de la température

Nous recommandons que lorsque vous démarrez votre réfrigérateur pour la première fois, la température du réfrigérateur soit réglée à 4°C et le congélateur à -18°C. Si vous souhaitez modifier la température, suivez les instructions ci-dessous.

Mise en garde! Quand vous régler une température, vous la régler en moyenne pour l'ensemble du réfrigérateur. Les températures à l'intérieur de chaque compartiment peuvent varier légèrement par rapport aux valeurs affichées sur le panneau et en fonction de la quantité d'aliments conservés et du lieu où ils sont conservés. La température ambiante peut également influencer la température réelle à l'intérieur de l'appareil.

#### 1. Fridge

Appuyez sur le bouton «ZONE» jusqu'à ce que l'icône «Fridge» s'allume, puis appuyez sur le bouton «TEMP.» pour régler la température du réfrigérateur entre 8°C et 2°C en fonction de vos besoins. Le panneau d'affichage affichera les valeurs correspondantes dans la séquence suivante.



#### 2. Freezer

Appuyez sur le bouton «ZONE» jusqu'à ce que l'icône «Freezer» s'allume, puis appuyez sur le bouton «TEMP.» pour régler la température du congélateur entre -14°C et -24°C en fonction de vos besoins. Le panneau d'affichage affichera les valeurs correspondantes dans la séquence suivante.



#### 3. Super Cool

Le mode Super Cool permet de réfrigérer vos aliments plus rapidement tout en les conservant au frais le plus longtemps possible. Il est conseillé de l'activer avant de charger une grande quantité d'aliments tièdes / à la température ambiante.

- Appuyez sur « MODE » pour activer cette fonction. L'icône « Super Cool » s'allumera automatiquement et l'indicateur de température du réfrigérateur affichera 2°C sur l'écran.
- La fonction Super Cool se désactive automatiquement après 3 heures.
- Lorsque la fonction « Super Cool » est activée, vous pouvez l'éteindre en appuyant sur « MODE » ou en réglant la température du réfrigérateur. Pour désactiver manuellement la fonction « Super Cool », le réglage de la température du réfrigérateur revient au réglage précédent.

#### 4. Energy saving

Appuyez sur le bouton «MODE» pour activer la fonction d'économie d'énergie.

L'icône «Energy saving» s'allumera.

- Lorsque la fonction Économie d'énergie est activée, la température du réfrigérateur passe automatiquement à 6°C et la température du congélateur passe automatiquement à -17°C.
- Lorsque la fonction Économie d'énergie est activée, vous pouvez la désactiver en appuyant sur le bouton « MODE » ou « TEMP » et le réglage de la température du réfrigérateur reviendra au réglage précédent.

## 5. Super Freeze



Le mode « Super Freeze » permet de faire baisser la température du congélateur, pour que les aliments soient congelés plus rapidement. Cette fonctionnalité permet également de conserver les vitamines et les éléments nutritionnels des aliments frais pendant une période plus longue.

- Appuyez sur « MODE » pour activer cette fonction. L'icône « Super Freeze » s'allume et la température du congélateur est réglée à -24°C.
- La fonction Super Freeze se désactive automatiquement après 52 heures.
- Lorsque la fonction « Super Freeze » est activée, vous pouvez la désactiver en appuyant sur le bouton « MODE » ou en réglant la température du Congélateur. Pour désactiver manuellement la fonction « Super Freeze », le réglage de la température du Congélateur revient au réglage précédent.

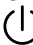
**REMARQUE :** Lorsque vous sélectionnez la fonction Super Freeze, rassurez-vous qu'il n'y a pas de boissons en bouteille ou en canette (en particulier de boissons gazeuses) dans le compartiment du congélateur. Les bouteilles et les cannettes peuvent exploser.

## 6. POWER



POWER  
On/Off 3"

Appuyez sur le bouton «POWER» et maintenez-le enfoncé pendant trois secondes pour activer ou désactiver la fonction d'alimentation.

- Lorsque la fonction d'alimentation est activée, l'icône  s'allume et le tableau d'affichage indique «OF». Si aucune touche n'a été enclenchée, le panneau d'affichage s'éteindra au bout d'une minute.
- Pour désactiver la fonction ci-dessus, vérifiez que le panneau d'affichage est bien allumé. Si ce n'est pas le cas, appuyez sur n'importe quelle touche, pour éclairer le panneau.

## 7. Alarme De Porte

- Lorsque la porte du réfrigérateur est ouverte pendant plus de 2 minutes, le panneau de commande affichera «dr» et l'alarme de la porte s'arrêtera environ 8 minutes plus tard.
- Pour économiser de l'énergie, évitez de laisser la porte ouverte pendant longtemps lors de l'utilisation du réfrigérateur. Si l'alarme de porte se déclenche, il est possible de l'éteindre **en fermant les portes.**

## Utilisation de l'appareil

Votre appareil a les accessoires figurant dans la « Description générale de l'appareil » illustrée, avec ce manuel d'instruction, vous pouvez savoir comment les utiliser à bon fin. Nous vous recommandons de les lire attentivement avant d'utiliser l'appareil.

### Étagère de porte

Il convient pour le stockage des œufs, des liquides en conserve, des boissons en bouteille et des aliments emballés, etc. Il ne faut pas surcharger l'étagère.

### Étagère dans le compartiment du réfrigérateur

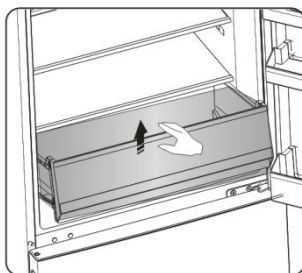
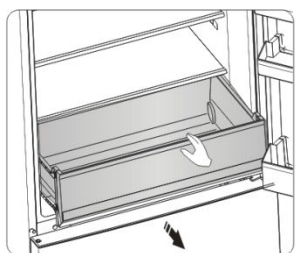
1. Il y a des étagères dans le compartiment du réfrigérateur, et elles peuvent être retirées pour être nettoyées.



2. Le bac à légumes est approprié pour le stockage des fruits et légumes.

Tout d'abord, tirez le bac à légumes du niveau, ensuite relevez le bac à légumes pour le sortir.

Suivez les mêmes consignes en séquence inversée pour correctement repositionner le bac à légumes.



### Compartiment du congélateur

Le compartiment du congélateur est approprié pour le stockage des aliments devant être congelés, tels que la viande, les glaces, etc.

**Mise en garde!** Ne fermez jamais la porte du congélateur tant que les tiroirs, le support d'installation et le bac à glaçons sont étendus. Cela pourrait endommager l'appareil. Rassurez-vous que les boissons embouteillées ne sont pas stockées dans le congélateur, car le liquide gelé peut faire briser les bouteilles.

### Bac à glaçons intégré.

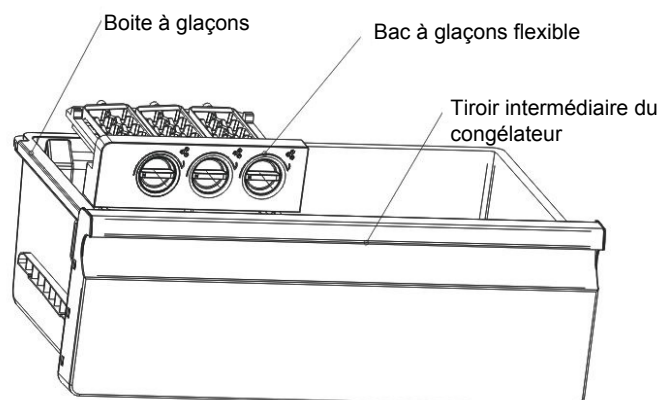
Le bac à glaçons flexible produit et stocke des glaçons en abondance.

1. Retirez le bac à glaçons flexible du support d'installation.

2. Remplissez-le avec de l'eau potable en dessous du repère de niveau maximum.

3. Placez le bac à glaçons rempli sur le support.

4. Attendez environ 3 heures, tournez les boutons dans le sens horaire et les glaçons tomberont dans la boîte à glaçons ci-dessous.



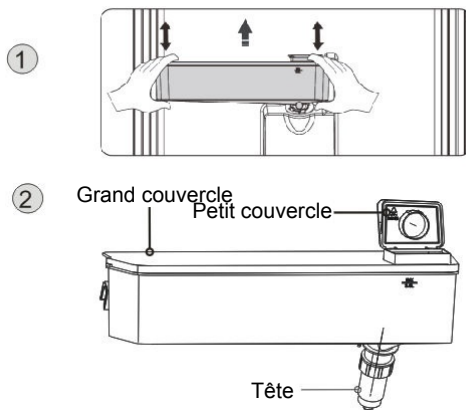
### Distributeur d'eau

Le distributeur d'eau, situé sur la porte du réfrigérateur, permet de stocker de l'eau potable. Cette fonction fournit facilement de l'eau glacée sans qu'on n'ouvre le réfrigérateur. Vous devriez prendre connaissance des conseils suivants.

#### ● Avant toute utilisation

Veillez nettoyer les pièces du distributeur d'eau avant d'utiliser cet appareil pour la première fois.

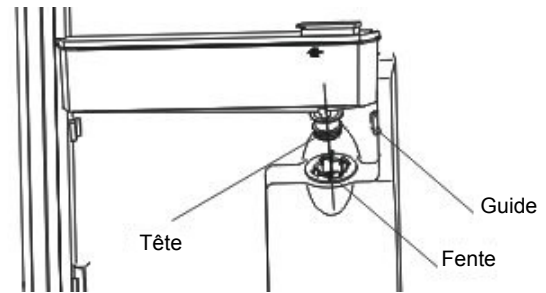
1. Tenez fermement les deux côtés du réservoir d'eau, puis soulevez le réservoir d'eau en le secouant vers le haut et vers le bas.
2. Dévissez la tête, nettoyez-le et le réservoir d'eau aussi (y compris le grand et le petit couvercle).
3. Séchez-le de manière naturelle ou à l'aide d'un séchoir.



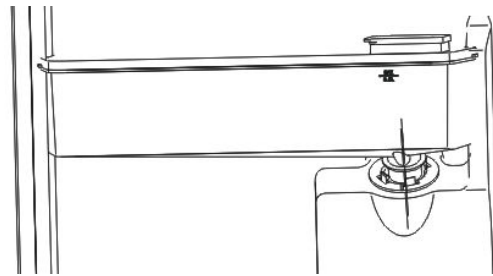
#### ● Assemblage

Après le nettoyage, assemblez ces pièces ensemble, en procédant dans l'ordre inverse, puis placez-les sur la porte selon la procédure suivante.

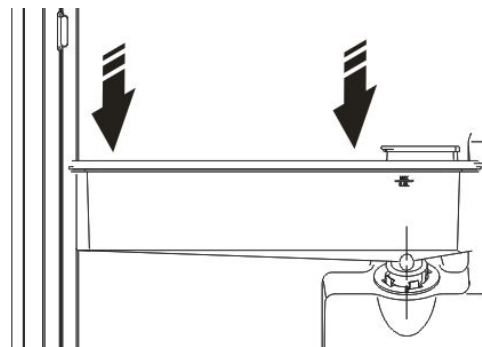
1. Insérez la tête dans le trou.
2. Montez le réservoir le long des guides sur la porte.
3. Appuyez sur les deux côtés du réservoir.
4. Lorsque vous entendez un clic, cela signifie que l'installation est terminée.



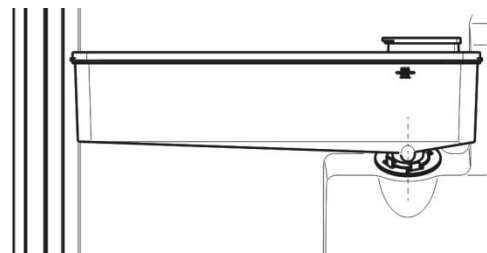
①



②



③



④

#### ● Remplissage d'eau

Avant de remplir le bac d'eau, vérifiez que ce dernier tient bien en place et se trouve en bonne position.

#### Mise en garde!

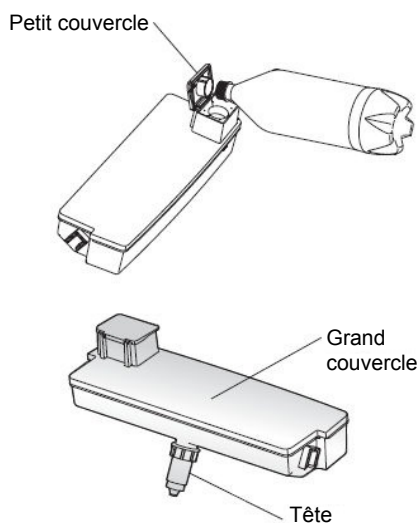
Remplissez de l'eau jusqu'à 3,5 L (volume recommandé) et ne dépassez

pas cette limite.

Si non, l'eau pourrait déborder lorsque le couvercle sera fermé.

Nous vous conseillons de remplir le bac en suivant les consignes suivantes.

Ouvrez le petit couvercle en le pivotant et remplissez l'eau à partir de l'entrée du grand couvercle. N'oubliez pas de faire pivoter le petit couvercle dans sa position d'origine lorsque vous avez fini de remplir l'eau.



### Attention !

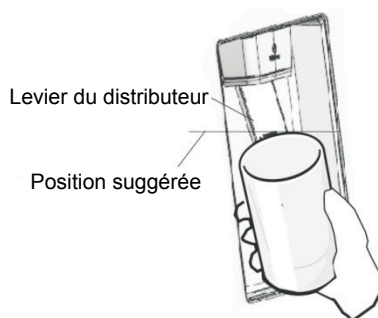
--Ne pas toucher d'autres parties de l'appareil lors du remplissage de l'eau, il peut provoquer une fuite de l'eau.

--Il n'a pas été suggéré de remplir d'autres boissons (lait, jus de fruits, boissons gazeuses, etc.) à l'exception de l'eau potable, en particulier des boissons contenant des particules (pouvant entraîner une panne de la fonction).

-- Il est interdit de verser de l'eau chaude dans le réservoir d'eau.

### ●Puiser de l'eau

Utilisez un verre de taille adaptée pour puiser de l'eau en dessous du distributeur d'eau.



### Attention !

--Ne poussez pas le levier du dispensateur d'eau en avant sans un verre en dessous. L'eau pourrait se déverser.

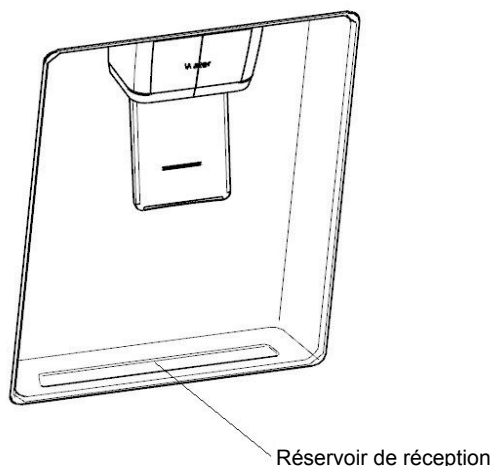
--Pour éviter les fuites d'air froid du cabinet, veillez à ce que les pièces du distributeur d'eau (en particulier le réservoir d'eau et le robinet) soient toujours installées, même si le distributeur d'eau était hors d'usage.

### ●Nettoyage

1. Extrayez le réservoir d'eau délicatement puis nettoyez-le à l'eau claire, ainsi que le couvercle et la partie supérieure.

2. Après avoir nettoyé l'appareil, vous devez le sécher à l'air ou utilisez une sècheuse.

3. Si vous avez utilisé le distributeur d'eau plusieurs fois, l'eau qui se trouve dans le réservoir d'eau peut se verser sur le sol, ce qui peut rendre votre sol mouillé. Vous devez nettoyer le réservoir avec une serviette sèche régulièrement avant que l'eau ne se verse.



## Entretien et soin

Pour des raisons d'hygiène, l'appareil (aussi bien l'extérieur que les accessoires intérieur) doit être nettoyé régulièrement au moins tous les deux mois.

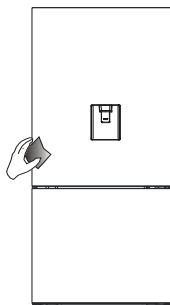
### Attention !

L'appareil ne doit pas être branché au secteur pendant le nettoyage, car il y a risque de choc électrique. Avant le nettoyage, éteignez l'appareil et débranchez la fiche de la prise de courant.

### Nettoyage extérieur

Essayez le panneau de commande avec un chiffon doux et propre.

- Versez de l'eau sur le chiffon de nettoyage plutôt que directement sur la surface de l'appareil. Cela permet de s'assurer d'une répartition uniforme de l'humidité sur la surface.
- Nettoyez les portes, les poignets et les surfaces du cabinet avec un détergent doux et puis essuyez à sec avec un chiffon doux.



### Mise en garde!

- Utilisez pas d'objets tranchants, car ils risquent de rayer la surface.
- N'utilisez pas de diluant, de détergent de voiture, du Clorox, de l'huile étherée, nettoyant abrasif, ou du solvant organique comme le Benzène pour le nettoyage. Ils peuvent endommager la surface de l'appareil et provoquer un incendie.

### Nettoyage intérieur

Vous devez aussi nettoyer l'intérieur de l'appareil de façon régulière. Il serait plus facile de le nettoyer lorsque la quantité de nourriture à l'intérieure est petite. Essayez l'intérieur du congélateur avec une solution

faible en bicarbonate de soude, et puis rincez-le avec de l'eau chaude en utilisant une éponge ou un chiffon torréfié. Nettoyer complètement à sec avant de replacer les étagères et les paniers. Essayez bien toutes les surfaces et pièces amovibles avant de réinstaller le bac.



Bien que cet appareil se dégèle automatiquement, une couche de givre peut se former à l'intérieur du compartiment du congélateur ouvert fréquemment ou trop longtemps. Si la givre est trop épaisse, choisissez un moment où le congélateur est Presque vide et procédez comme suit:

1. Retirez les paniers d'aliments et d'accessoires existants, débranchez l'appareil de l'alimentation principale et laissez les portes ouvertes. Ventilez correctement la chambre pour accélérer le processus de dégivrage.
2. Une fois le dégivrage terminé, nettoyez votre congélateur comme décrit ci-dessus.

### Mise en garde!

N'utilisez pas des objets tranchants pour enlever le givre du compartiment du congélateur. C'est seulement après que l'intérieur soit sec que l'appareil doit être rallumé et rebranché sur la prise principale.

### Nettoyage des joints de porte



Assurez-vous de maintenir les joints de porte propres. Les nourritures et boissons collantes peuvent coincer les joints au cabinet et les déchirer lorsque vous ouvrez la porte. Lavez les joints avec un détergent doux et de l'eau chaude. Rincez et séchez-les correctement après le nettoyage.

**Mise en garde!** L'appareil ne doit être mis sous tension qu'après que les joints d'étanchéité de la porte soient complètement secs

#### Remplacement du luminaire LED :

Attention:

Le luminaire LED doit être remplacé par une personne compétente. Si la

lampe DEL est endommagée, contactez l'assistance téléphonique client pour une assistance. Pour remplacer la lampe DEL, vous pouvez suivre les étapes ci-dessous :

1. Débranchez l'appareil.
2. Retirez le couvercle de la lampe en le poussant vers l'extérieur et vers le haut.
3. Tenez la lampe LED d'une main puis retirez-la de l'autre, en la pressant contre le verrou du connecteur.
4. Remplacez la lampe LED et installez-la en bonne position.

## Conseils et astuces utiles

### Conseils pour économiser de l'énergie

Nous recommandons que vous suiviez les astuces ci-dessous pour économiser l'énergie.

- Essayez de ne pas laisser la porte ouverte longtemps afin de conserver de l'énergie.

Veillez à ce que l'appareil soit à l'abri de toute source de chaleur (exposition directe à la lumière du soleil, four électrique ou cuisinière, etc.)

- Ne réglez pas la température plus basse que nécessaire.

- Ne stockez pas de la nourriture chaude ou un liquide qui s'évapore dans l'appareil.

- Placez l'appareil dans une salle bien ventilée sans humidité. Veuillez vous référer au chapitre « Installer votre nouvel appareil ».

- Si le diagramme affiche une combinaison appropriée pour les tiroirs, les bacs et les étagères, n'ajustez pas la combinaison car elle est ainsi fixée comme étant la configuration d'énergie la plus efficace.

### Conseils pour la réfrigération des aliments frais

- Ne mettez pas directement de la nourriture chaude dans le réfrigérateur ou le congélateur, la température interne

augmentera. Le compresseur travaillera donc beaucoup plus et consommera plus d'énergie.

- Couvrez ou emballez les aliments surtout si elles ont une forte odeur.

### Conseils pour la réfrigération

- Placez la nourriture correctement pour que l'air circule librement autour.

### Conseils pour la réfrigération

- Viande (Tous Types) de nourriture enveloppez dans du polyéthylène: emballez et puis placez-la sur l'étagère en verre au dessus du tiroir des légumes. Suivez toujours les durées de stockage et d'utilisation des repas suggérées par les producteurs.

- Aliments préparés, plats froids, etc.: Ils devraient être couverts et peuvent être placés sur n'importe quelle étagère.

- Fruit et légumes: Ils devraient être rangés dans le tiroir spécial prévu à cet effet.

- Beurre et fromage: Ils devraient être enveloppés dans du papier d'aluminium étanche à l'air ou dans une pellicule de plastique.

- Bouteilles de lait : Elles devraient avoir un couvercle et être rangées dans les étagères de porte.

### Conseils pour la congélation

- Lors de la première mise en marche ou après une période d'inutilisation, laissez l'appareil fonctionner pendant au moins 2 heures avec les réglages les plus élevés avant de mettre de la nourriture dans le compartiment.
- Préparez les aliments en petites portions afin qu'ils peuvent être rapidement et complètement gelés et de permettre de décongeler ultérieurement uniquement la quantité requise.
- Emballez les aliments dans du papier d'aluminium ou des emballages alimentaires en polyéthylène qui sont étanches à l'air,
- Ne laissez pas les aliments frais non congelés toucher les aliments qui sont déjà gelés pour éviter l'élévation de température de ce dernier.
- Les produits glacés, s'ils sont consommés immédiatement après avoir été retirés du compartiment congélateur, causeront probablement des gelures sur la peau.
- Il est recommandé d'étiqueter et de

cocher chaque colis congelé afin de suivre l'heure de stockage.

### Conseils pour le stockage des aliments surgelés

- Assurez-vous que les aliments congelés ont été entreposés correctement par le détaillant en alimentation.
- Une fois les aliments dégivrés, elles se détériorent rapidement et ne doivent pas être congelés à nouveau. Ne pas dépasser la durée de stockage indiquée par le fabricant de l'aliment.

### Éteindre votre appareil

Si l'appareil doit être éteint pendant une période prolongée, les mesures suivantes doivent être prises pour éviter la moisissure sur l'appareil.

1. Retirez toute la nourriture.
2. Retirez la fiche d'alimentation de la prise principale..
3. Nettoyez et séchez entièrement l'intérieur.
4. Veillez à ce que toutes les portes soient légèrement calées pour permettre à l'air de circuler.

## Dépannage

Si vous rencontrez un problème avec votre appareil ou craignez que l'appareil ne fonctionne pas correctement, vous pouvez effectuer des contrôles simples avant d'appeler le service client, voir ci-dessous.

**Attention !** N'essayez pas de réparer l'appareil électrique vous-même. Si le problème persiste après avoir effectué les vérifications mentionnées ci-dessous, contactez un électricien qualifié, un technicien agréé ou la boutique où vous avez acheté le produit.

Problème	Cause & Solution possible
Appliance is not working correctly	Vérifiez si le cordon d'alimentation est correctement branché dans la prise électrique.
	Vérifiez si la fonction «Alimentation» est activée en appuyant sur le bouton «Alimentation» pendant 3 seconde.
	Vérifiez le fusible ou le circuit de votre alimentation électrique, remplacez-le si nécessaire.
	Il est normal que le congélateur ne fonctionne pas pendant le cycle de dégivrage, ou pendant peu de temps après l'allumage de l'appareil pour protéger le compresseur.

Des odeurs proviennent du compartiment	L'intérieur peut avoir besoin d'être nettoyé. Certaines nourritures, conteneurs ou emballages provoquent des odeurs.
Du bruit est émis par l'appareil électrique	<p>Les sons ci-dessous sont relativement normaux :</p> <ul style="list-style-type: none"> <li>• Bruits de fonctionnement du compresseur.</li> <li>• Bruits des mouvements de l'air du moteur du petit ventilateur dans le compartiment congélateur ou dans d'autres compartiments.</li> <li>• Son de gargouillement semblable à celui de l'eau bouillante.</li> <li>• Bruit d'éclatement pendant le dégivrage automatique.</li> <li>• Bruit de cliquetis avant le démarrage du compresseur.</li> </ul> <p>D'autres bruits inhabituels sont dus aux raisons ci-dessous et peuvent nécessiter une vérification et une intervention de votre part :</p> <ul style="list-style-type: none"> <li>• L'appareil n'est pas à niveau.</li> <li>• L'arrière de l'appareil touche le mur.</li> <li>• Des bouteilles ou contenants sont tombés ou en train de rouler.</li> </ul>
Le moteur fonctionne en permanence	<p>Il est normal d'entendre fréquemment le bruit du moteur, il devra fonctionner davantage dans les circonstances suivantes :</p> <ul style="list-style-type: none"> <li>• Le réglage de la température est plus froid que nécessaire</li> <li>• Une grande quantité d'aliments chauds a récemment été stockée dans l'appareil.</li> <li>• La température extérieure de l'appareil est trop élevée.</li> <li>• Les portes restent ouvertes trop longtemps ou trop souvent.</li> <li>• Après l'installation de l'appareil ou s'il a été éteint pendant une longue période.</li> </ul>
Une couche de givre se produit dans le compartiment	Vérifiez que les bouches d'aération ne sont pas bloquées par les aliments et que les aliments sont placés dans l'appareil d'une façon à permettre une ventilation suffisante. Rassurez-vous que la porte est complètement fermée. Pour retirer le givre, reportez-vous au chapitre «Nettoyage et Entretien».
La température à l'intérieur est trop chaude	Il se peut que vous ayez laissé les portes ouvertes pendant trop longtemps ou trop fréquemment ; ou les portes sont laissées ouvertes à cause d'un obstacle quelconque ; ou l'appareil électrique est situé à un endroit avec un dégagement insuffisant sur les côtés, vers le haut et vers le bas.
La température à l'intérieur est trop froide	Augmentez la température en suivant les instructions du chapitre « Contrôles de l'affichage ».
Les portes ne se ferment pas facilement	Vérifiez si le dessus du réfrigérateur est incliné vers l'arrière de 10 à 15 mm pour permettre aux portes de se fermer automatiquement ou si quelque chose à l'intérieur empêche les portes de se fermer.

## Élimination de l'appareil électrique

Il est interdit de se débarrasser de cet appareil électrique de la même manière que les déchets ménagers.



### Matériaux d'emballage

Les matériaux d'emballage avec le symbole de recyclage sont recyclables. Disposez-vous de l'emballage dans un collecte de déchets approprié pour le recycler.

### Avant l'élimination de l'appareil électrique

1. Retirez la fiche d'alimentation de la prise principale.
2. Coupez le cordon d'alimentation et jetez-le avec la fiche secteur.

Attention ! Les réfrigérateurs contiennent des réfrigérants et des gaz dans l'isolation. Les réfrigérants et les gaz doivent être éliminés de manière professionnelle, car ils peuvent provoquer des blessures aux yeux et des départs de feu. Assurez-vous que le tuyau de réfrigérant n'est pas endommagé avec de l'éliminer correctement.

Élimination correcte de ce produit	
 	<p>Ce symbole sur le produit ou dans son emballage indique que ce produit ne peut être considéré comme déchets domestique. Au lieu de cela, il faut l'emmener au point de collecte des déchets approprié pour le recyclage des équipements électriques et électroniques. En vous assurant que ce produit est éliminé correctement, vous contribuerez à prévenir les conséquences potentielles négatives sur l'environnement et la santé humaine, qui pourraient être causées par une manipulation inappropriée des déchets de ce produit. Pour des informations plus détaillées sur le recyclage de ce produit, veuillez contacter votre conseil local, votre service d'élimination des déchets ménagers ou le magasin où vous avez acheté le produit.</p>

Afin d'éviter la contamination des aliments, veuillez respecter les instructions suivantes

- L'ouverture de la porte pendant de longues périodes peut provoquer une augmentation significative de la température dans les compartiments de l'appareil.
- Le nettoyage régulier des surfaces peuvent entrer en contact avec les aliments et les systèmes de drainage accessibles.
- Conservez la viande et le poisson crus dans des récipients prévus à cet effet au réfrigérateur, de façon à ce qu'ils ne soient pas en contact avec d'autres aliments ou ne puissent tomber sur ces derniers.
- Les compartiments à aliments surgelés de type deux étoiles permettent de conserver les aliments pré-congelés, de conserver ou de préparer de glace et des glaçons.
- Les compartiments à une, deux et trois étoiles ne conviennent pas à la congélation des aliments frais.

Étape	Compartiments TYPE	Température de stockage cible [°C]	Aliments convenables
1	Réfrigérateur	+2 ~ +8	Les œufs, les aliments cuisinés, les aliments emballés, les fruits et légumes, les produits laitiers, les gâteaux, les boissons et les autres aliments qui ne sont pas adaptés à la congélation.
2	(***)*- Congélateur	≤ -18	Les fruits de mer (poisson, crevettes, les crustacés), les produits d'eau douce et les viandes (la durée recommandée est de 3 mois - les valeurs nutritives et la saveur décroissent avec le temps), adapté à la congélation d'aliments frais.
3	***-Congélateur	≤ -18	Les fruits de mer (poisson, crevettes, les crustacés), les produits d'eau douce et les viandes (la durée recommandée est de 3 mois - les valeurs nutritives et la saveur décroissent avec le temps). Non adapté à la congélation d'aliments frais.
4	** -Congélateur	≤ -12	Les fruits de mer (poisson, crevettes, les crustacés), les produits d'eau douce et les viandes (la durée recommandée est de 2 mois - les valeurs nutritives et la saveur décroissent avec le temps). Non adapté à la congélation d'aliments frais.
5	*-Congélateur	≤ -6	Les fruits de mer (poisson, crevettes, les crustacés), les produits d'eau douce et les viandes (la durée recommandée est de 1 mois - les valeurs nutritives et la saveur décroissent avec le temps). Non adapté à la congélation d'aliments frais.
6	0 étoile	-6 ~ 0	Le porc, le bœuf, le poisson, le poulet, certains produits alimentaires transformés, etc. (le temps recommandé pour la consommation est le jour même, de préférence pas plus tard qu'après 3 jours). Les aliments transformés encapsulés, partiellement emballés/mis sous plastique (aliments non congelables)
7	Fraîcheur	-2 ~ +3	Viande de porc fraîche/congelée, bœuf, poulet, produits de la pêche d'eau douce, etc. (7 jours en dessous de 0 °C, au cours de la journée et de préférence dans un délai maximum de 2 jours en cas de température supérieure à 0 °C). Fruits de mer (pendant 15 jours pour une température inférieure à 0 °C, en revanche, il n'est pas recommandé de le conserver au-dessus de 0 °C)

8	Aliments frais	0 ~ +4	La viande de porc fraîche, ainsi que le bœuf, le poisson, le poulet, les aliments préparés, etc. (Il est préférable de le consommer dans la même journée, de préférence pas plus de 3 jours).
9	Vin	+5 ~ +20	vin rouge, vin blanc, vin mousseux etc.

Note : Veuillez entreposer les aliments en fonction des compartiments ou de la température de stockage cible de vos produits achetés.

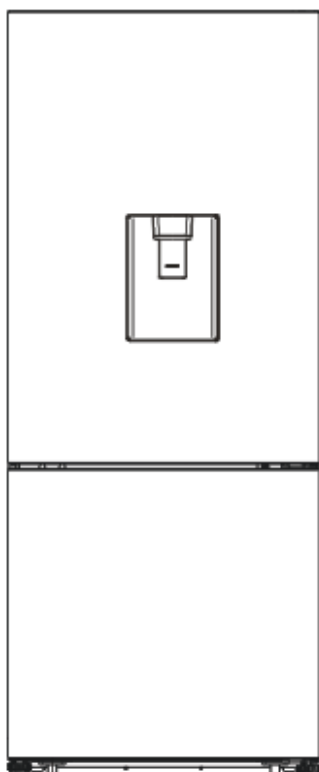
- Si l'appareil de réfrigération restera vide pendant de longues périodes, éteignez-le, dégèlez-le, nettoyez-le, essuyez-le et laissez la porte ouverte pour éviter la formation de moisissures dans l'appareil.

**Nettoyage des distributeurs d'eau (spécial pour les produits distributeurs d'eau) :**

- Nettoyez les réservoirs d'eau s'ils n'ont pas été utilisés depuis 48 h ; rincez le système d'eau raccordé à une alimentation en eau si l'eau n'a pas été prélevée depuis 5 jours.

**ATTENTION** - Les aliments doivent être emballés dans des sacs avant d'être stockés dans le réfrigérateur, et les liquides doivent être embouteillés ou mis dans des récipients fermés pour éviter que le problème de la difficulté à nettoyer le produit en raison de sa structure complexe ne se présente.

# Hisense



**Número de Tipo: H610BS-WD  
H610BI-WD  
RD-60WC4SIB**

## Conteúdo

Informações de segurança e aviso.....	2	Limpeza e Manutenção.....	17
Instalar seu novo aparelho.....	8	Sugestões e dicas úteis.....	18
Descrição do aparelho.....	11	Resolução de problemas.....	19
Controles de exibição.....	12	Eliminação do aparelho.....	21
Usar seu aparelho.....	14		



## Informações de segurança e aviso

Para a sua segurança e o uso correto, antes de instalar e usar o aparelho, leia este manual do usuário com atenção, incluindo as suas sugestões e advertências. Para evitar erros e acidentes desnecessários, é importante certificar-se de que todas as pessoas que utilizam o aparelho conheçam o seu funcionamento e as características de segurança. Guarde estas instruções e certifique-se de que elas acompanham o aparelho em caso de transferência ou venda, para que o uso dela durante toda a sua vida será devidamente informado sobre o seu uso correto e a segurança. Para a segurança de vidas e propriedades, preste atenção às precauções de instruções do usuário porque o fabricante não é responsável por danos causados por omissão.

### Segurança para crianças e outras que são pessoas vulneráveis

- De acordo com o padrão EN  
Este aparelho pode ser usado por crianças com idades de 8 anos e acima e pessoas com deficiências físicas, sensoriais ou mentais ou falta de experiência e conhecimento se eles têm recebido supervisão ou instruções relativas à utilização do aparelho de forma segura e compreenderam os perigos envolvidos. As crianças não devem brincar com o aparelho. Limpeza e manutenção não podem ser feitas por crianças sem supervisão.

De acordo com o padrão IEC

Este aparelho não se destina a ser utilizado por pessoas (incluindo crianças) com capacidades reduzidas físicas, sensoriais ou mentais, ou falta de experiência e conhecimento, a menos que tenham recebido supervisão ou instruções relativas à utilização do aparelho por uma pessoa responsável pela sua segurança.



- 
- Mantenha todas as embalagens fora do alcance das crianças porque há o risco de asfixia.
  - Se você está descartando o aparelho, retire o plugue a partir da tomada, corte o cabo de conexão (o mais próximo do aparelho possível) e retire a porta para evitar que as crianças sofram um choque elétrico ou fechem-se no interior.
  - Se este aparelho, com a vedação magnética de porta, será usado para substituir um aparelho mais velho que tem um fecho de mola (trava) na porta ou tampa, certifique-se de deixar o fecho de mola inutilizável antes de descartar o aparelho antigo. Isso vai impedir que a trava se torne uma armadilha mortal para uma criança.

## Segurança geral



- AVISO - Este aparelho é destinado para ser usado em casa ou aplicações similares, tais como áreas de cozinha, lojas, escritórios e outros ambientes de trabalho;
  - fazenda e por clientes em hotéis, motéis e outros tipos de ambientes residenciais;
  - ambientes de cama e café da manhã;
  - restauração e aplicações não-varejo semelhantes
- AVISO - Não guarde substâncias explosivas, tais como latas de aerossol com um propulsor inflamável neste aparelho.
- AVISO - Se o cabo de alimentação estiver danificado, ele deve ser substituído pelo fabricante, pelo agente autorizado ou pessoal qualificado para evitar um perigo.
- AVISO - Mantenha as aberturas de ventilação na caixa do aparelho ou na estrutura interna sem obstruções.
- AVISO - Não utilize dispositivos mecânicos ou outros meios para acelerar o processo de descongelação, exceto os recomendados pelo fabricante.
- AVISO - Não danifique o circuito de refrigeração.
- AVISO - Não utilize aparelhos elétricos no interior dos compartimentos de armazenamento de alimentos do aparelho, a menos que sejam do tipo recomendado pelo fabricante.

- 
- AVISO-Orefrigerante e ogás de isolamento são inflamáveis. Ao descartar oaparelho, faça-o apenas emum centro autorizadode eliminação de resíduos. Não exponha-o ao fogo.
  - AVISO — Ao posicionar o aparelho, certifique-se de que o cabo de alimentação não esteja preso ou danificado.
  - AVISO —Não localize várias tomadas de soquete portáteis ou fontes de alimentação portáteis na parte traseira do dispositivo.

## Substituir as lâmpadas de iluminação

- AVISO — As lâmpadas de iluminação não devem ser substituídas pelo usuário! Se as lâmpadas de iluminação estiverem danificadas, entre em contato com a linha de atendimento ao cliente para obter assistência.

Este aviso é apenas para refrigeradores que contêm lâmpadas de iluminação.

## Refrigerante

O refrigerante isobuteno (R600a), um gás natural comum elevado nível de compatibilidade com oambiente, está contido dentro do circuito de refrigerante do aparelho que é inflamável. Durante o transporte e a instalação do aparelho, assegure que nenhum dos componentes do circuito de refrigeração se torna danificado

O refrigerante (R600a) éinflamável.

- AVISO - Os refrigeradores contêm refrigerante e gases no isolamento. O refrigerante e os gases devem ser descartados profissionalmente, pois podem causar ferimentos nos olhos ou ignição. Certifique-se de que a tubulação do circuito de refrigerante não seja danificada antes do descarte adequado.



**Aviso: Risco de Incêndio / materiais inflamáveis**

Se o circuito de refrigeraçãodeve ser danificado:

-Evite chamas e fontes deignição.

-Ventile completamente a sala em que se fixa o aparelho.

---

É perigoso alterar as especificações ou modificar este produto de qualquer forma.

Qualquer dano ao cabo pode causar um curto-circuito, incêndio e/ou choque elétrico.



## **Segurança elétrica**

1. O cabo de alimentação não deve ser prolongado.
2. Certifique-se de que a ficha não está esmagada ou danificada. A ficha esmagada ou danificada pode superaquecer e causar um incêndio.
3. Certifique-se que você pode acessar a ficha principal do aparelho
4. Não puxe o cabo principal.
5. Se a tomada da ficha de alimentação estiver solta, não introduza a ficha de alimentação. Existe o risco de choque elétrico ou incêndio.
6. Você não deve operar o aparelho sem a tampa da lâmpada de iluminação interior.
7. O frigorífico é aplicada somente com a fonte de energia de corrente alternada da fase única de 220 ~240V/50Hz. Se a flutuação de tensão no distrito de usuário é tão grande que a tensão ultrapassa a faixa acima, por razões de segurança, não se esqueça de aplicar o regulador automático de tensão AC de mais de 350W para a geladeira. O frigorífico deve usar uma tomada especial em vez de um comum com outros aparelhos elétricos. A sua ficha deve corresponder à tomada com fio terra.

## **Uso diário**

- Não guarde gases voláteis inflamáveis no aparelho, há risco de explosão.
- Não opere qualquer aparelho elétrico no aparelho (p.ex. máquinas de gelo, misturadores etc.)
- Ao desligar o aparelho, sempre coloque o plugue fora da tomada, não puxe o cabo.
- Não coloque objetos quentes perto dos componentes plásticos deste aparelho.

- 
- Não coloque alimentos directamente contra a saída de ar na parede traseira.
  - Guarde alimentos congelados pré-embalados em conformidade com as instruções do fabricante sobre alimentos congelados.
  - Recomendações de armazenamento do fabricante de aparelhos devem ser rigorosamente respeitados para se referir às instruções relevantes sobre o armazenamento.
  - Não coloque bebida gaseificada no compartimento de congelamento porque se cria a pressão no recipiente, o que pode fazê-la explodir, resultando em danos ao aparelho.
  - Os alimentos congelados podem causar queimaduras de geadas se forem consumidos directamente a partir do congelador.
  - Não coloque o aparelho num lugar exposto à luz solar directamente.
  - Mantenha velas, lâmpadas e outros objetos com chamas expostas longe do aparelho para que não se deixe o aparelho em chamas.
  - O aparelho tem como objetivo conservar alimentos e/ou bebidas em casa normal, como explicado neste manual de instruções. O aparelho é pesado. Cuidados devem ser tomados ao deslocá-lo.
  - Não retire nem toque itens do congelador se suas mãos estão húmidas/molhadas, pois isso pode causar abrasões na pele ou queimaduras de geadas.
  - Nunca utilize a base, gavetas, portas etc, para ficar de pé ou como suportes.
  - Os alimentos congelados não devem ser novamente congelados uma vez que foram descongelados.
  - Não consuma picolés de gelo ou cubos de gelo directamente do congelador, pois isso o gelo pode causar queimaduras na boca e lábios.
  - Para evitar a queda de itens que pode causar ferimentos ou danos ao equipamento, não sobrecarregue as prateleiras da porta ou coloque muita comida nas gavetas.

## **Cuidado!**

### **Manutenção e limpeza**

- 
- Antes da manutenção, desligue o aparelho e desconecte o plugue principal a partir da tomada.
  - Não limpe o aparelho com objetos de metal, limpeza a vapor, óleos etéreos, solventes orgânicos ou produtos de limpeza abrasivos.
  - Não use objetos pontiagudos para remover o gelo do aparelho. Use uma espátula de plástico.

### **Instalação Importante!**

- Para a ligação elétrica com cuidado, siga as instruções dadas neste manual.
- Desembale o aparelho e verifique se há danos no aparelho. Não ligue o aparelho se ele estiver danificado. Apresente danos possíveis imediatamente para o lugar onde você o comprou. Neste caso, retenha a embalagem.
- É aconselhável esperar pelo menos quatro horas antes de ligar o aparelho para permitir que o petróleo flua de volta ao compressor.
- A circulação de ar adequada deve ser em torno do aparelho, a falta disso leva a sobreaquecimento. Para obter uma ventilação suficiente, siga as instruções relevantes para a instalação.
- Sempre que possível, a parte traseira do produto não deve estar muito perto de uma parede para evitar tocar ou pegar partes quentes (compressor, condensador) para evitar o risco de incêndio, siga as instruções relevantes para a instalação.
- O aparelho não deve ser localizado perto de radiadores ou fogões.
- Certifique-se de que a ficha elétrica está acessível após a instalação do aparelho.

### **Serviço**

- Qualquer trabalho elétrico necessário para fazer a manutenção do aparelho deve ser feito por eletricista qualificado ou pessoa competente.
- Este produto deve ser reparado por um Centro de Assistência autorizado, e apenas peças originais devem ser usadas.
  - 1) Se o aparelho é Frost Free.
  - 2) Se o aparelho contém congelador.

**Nota: As crianças dos 3 aos 8 anos podem colocar e tirar aparelhos de refrigeração. (Esta cláusula apenas se aplica à região da UE).**

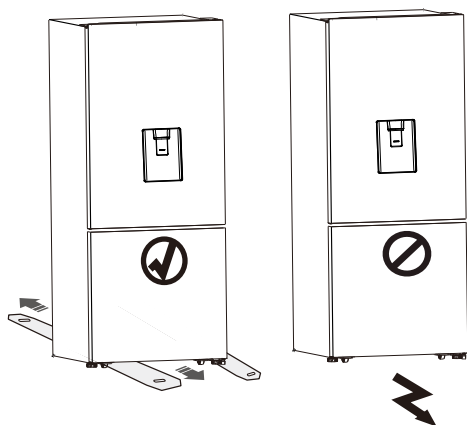
## Instalar seu novo aparelho

Antes de usar o aparelho pela primeira vez, você deve ser informado das seguintes dicas.

### AVISO!

Para uma instalação adequada, este refrigerador deve ser colocado em uma superfície nivelada de material rígido que tenha a mesma altura que o restante do piso. Esta superfície deve ser forte o suficiente para suportar um refrigerador totalmente carregado.

Os rolos, que não são rodízios, devem ser usados apenas para movimento para frente ou para trás. Mover o refrigerador lateralmente pode danificar sua parte inferior e os rolos.

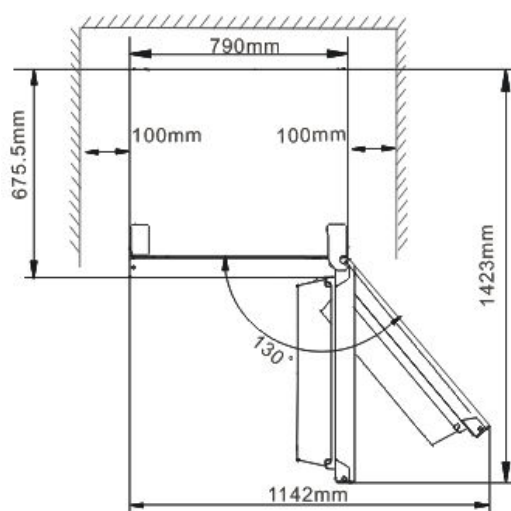
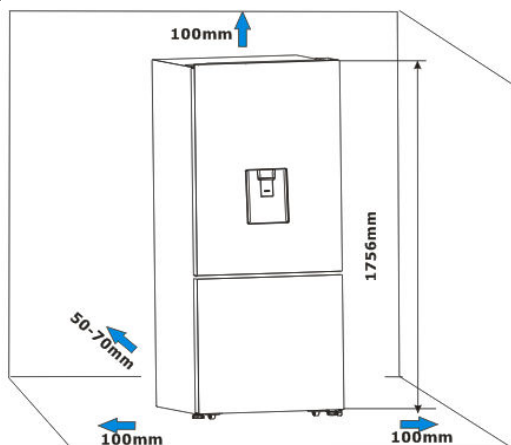


### Ventilação do aparelho



Para melhorar a eficiência do sistema de refrigeração e economizar energia, é necessário manter uma boa ventilação em torno do aparelho para a dissipação do calor. Por essa razão, um espaço limpo e suficiente deve estar disponível em volta do refrigerador.

**Sugestão:** É aconselhável que haja um espaço de 50-70mm desde a parte traseira até à parede e pelo menos 100mm desde o seu topo. Pelo menos 100mm do lado até à parede e um espaço na frente para permitir que as portas abram 130°. Como mostrado nos diagramas a seguir.



### Nota:

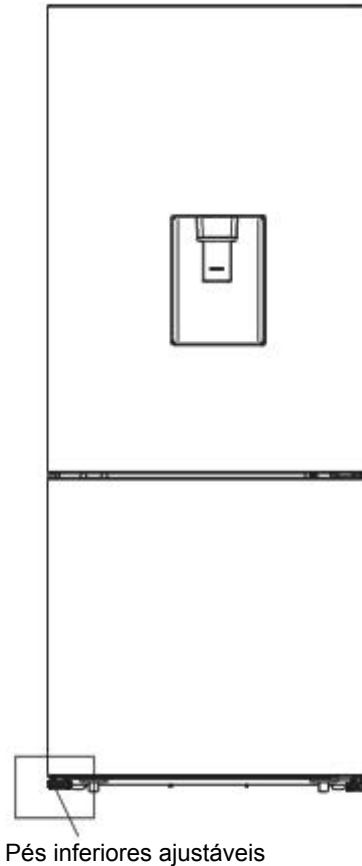
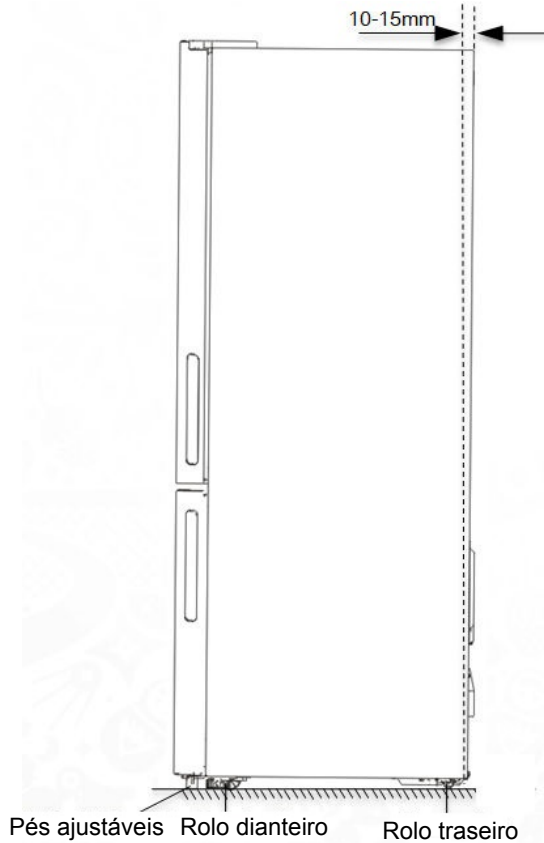
● Este aparelho funciona melhor num clima de SN até T mostrado na tabela abaixo. O aparelho pode não funcionar corretamente se for deixado a uma temperatura acima ou abaixo do intervalo indicado por um longo período.

Classe climática	Temperatura ambiente
SN	+10°C até +32°C
N	+16°C até +32°C
ST	+16°C até +38°C
T	+16°C até +43°C

● Coloque o aparelho num local seco para evitar umidade alta.  
 ● Mantenha o aparelho longe da luz solar direta, chuva ou geada. Afaste o aparelho de fontes de calor, tais como fogões, fogos ou aquecedores.

### Nivelamento do aparelho

- Para um nivelamento suficiente e circulação de ar na parte inferior traseira do aparelho, os pés precisam de ser ajustados. Você pode ajustá-los manualmente à mão ou com uma chave adequada.
- Para permitir que as portas se fechem, incline o topo para trás por 10-15mm.

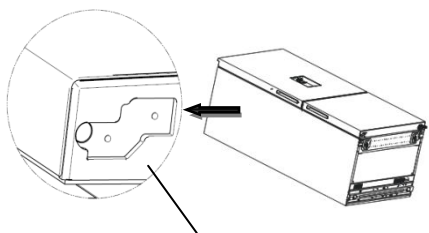


### Nota:

- Se necessário, pode deitar o refrigerador para ter acesso à base. Coloque-o numa espuma suave ou material similar para evitar danificar a parte de trás do refrigerador.

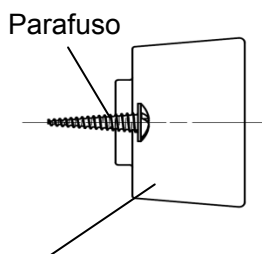
- Não há necessidade de instalar esses acessórios sob uso normal. Apenas sob as circunstâncias extremas, como a porta é mantida aberta por cerca de 90 graus, esta geladeira pode correr o risco de tombar. Neste caso, a almofada de suporte de borracha deve ser fixada na tampa da base inferior para estabilizar este aparelho.

1. Incline o aparelho para encontrar o orifício do parafuso à esquerda da tampa inferior da base.



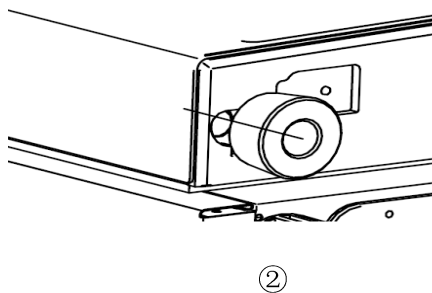
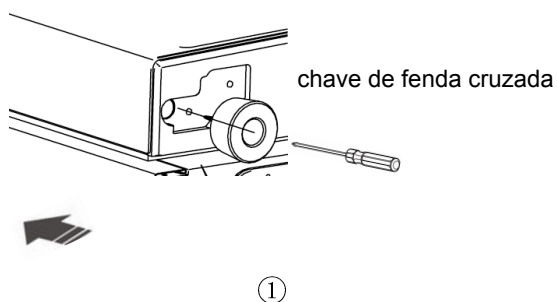
Cobertura de base inferior

2. Coloque o parafuso no orifício do suporte de borracha.

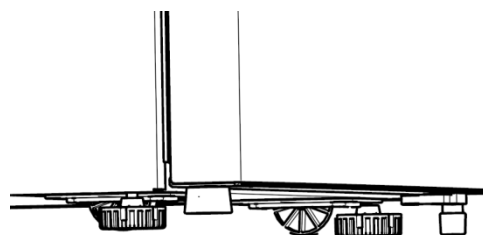


almofada de suporte de borracha

3. Alinhe o parafuso com o orifício na tampa inferior da base. Prenda firmemente a placa de suporte de borracha na tampa da base com uma chave de fenda cruzada (fornecida por usuário).



②



③



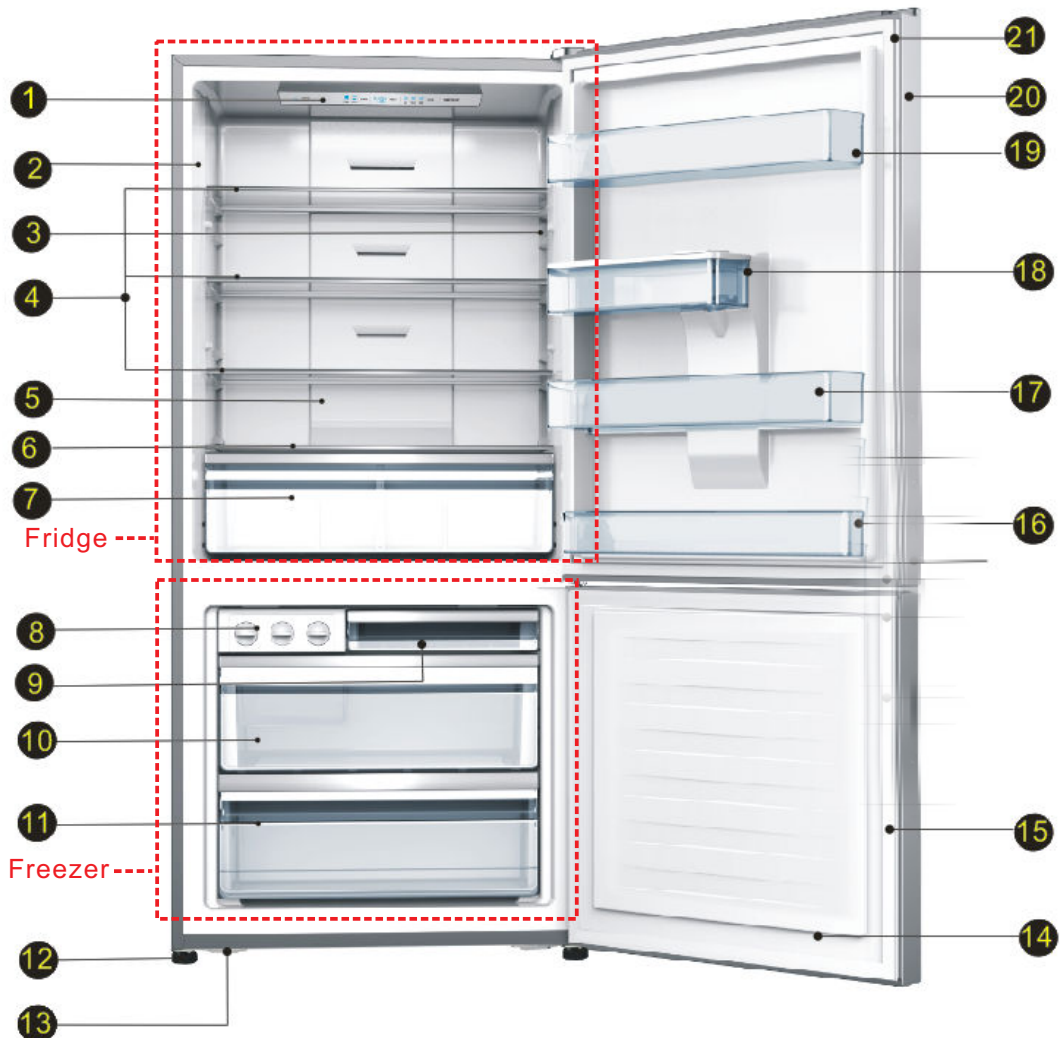








## Descrição do aparelho



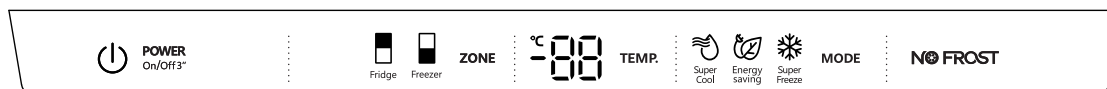
- |                        |                                  |                         |                          |
|------------------------|----------------------------------|-------------------------|--------------------------|
| 1 Painel de controle   | 7 Gaveta                         | 13 Roda                 | 19 Prateleira Superior   |
| 2 Gabinete             | 8 Bandeja de gelo giratória      | 14 Porta do congelador  | 20 Porta do Refrigerador |
| 3 Interruptor de porta | 9 Gaveta superior do congelador  | 15 Junta do congelador  | 21 Junta do Refrigerador |
| 4 Prateleira de vidro  | 10 Gaveta média do congelador    | 16 Prateleira Inferior  |                          |
| 5 Canal de Vento       | 11 Gaveta inferior do congelador | 17 Prateleira média     |                          |
| 6 Cobertura da gaveta  | 12 Pé inferior ajustável         | 18 Reservatório de água |                          |

### Nota!

- Devido à constante melhoria de nossos produtos, sua geladeira pode ser um pouco diferente deste Manual de Instruções, mas suas funções e métodos de uso permanecem os mesmos.
- Para obter a melhor eficiência energética deste produto, coloque todas as prateleiras, gavetas e cestos nas suas posições originais como na ilustração acima.

## Controles de exibição

Utilize o seu aparelho de acordo com as seguintes orientações, o seu aparelho tem funções como o painel de controlo mostrado nas imagens abaixo.



### Controlar a temperatura

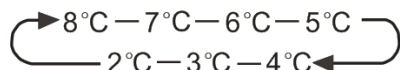
Recomendamos que, quando você ligar sua geladeira pela primeira vez, a temperatura da geladeira esteja ajustada para 4 °C e o congelador para -18 °C. Se você quiser alterar a temperatura, siga as instruções abaixo. Cuidado! Quando você ajusta uma temperatura, você define uma temperatura média para todo o gabinete do refrigerador. As temperaturas dentro de cada compartimento podem variar em relação aos valores de temperatura exibidos no painel, dependendo da quantidade de alimentos que você armazena e onde você os coloca. A temperatura ambiente também pode afetar a temperatura real dentro do aparelho.

#### 1. Fridge



Fridge

Pressione o botão "ZONE" até que o ícone "Fridge" acenda, depois pressione o botão "TEMP." para ajustar a temperatura do refrigerador entre 8 °C e 2 °C conforme necessário, e o painel de controle exibirá figuras correspondentes de acordo com a sequência seguinte.

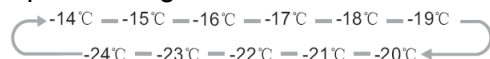


#### 2. Freezer



Freezer

Pressione o botão "ZONE" até que o ícone "Freezer" acenda, depois pressione o botão "TEMP." para definir a temperatura do congelador entre -14 °C e -24 °C, conforme necessário, e o painel de controle exibirá figuras correspondentes de acordo com a sequência seguinte.



#### 3. Super Cool



Super Cool

Super Cool pode refrigerar o alimento mais rápido e manter os alimentos frescos por um longo período. Isto é útil para ativar antes de inserir uma grande quantidade de comida quente/de temperatura ambiente.

- Pressione "MODE" para ativar esta função. O ícone "Super Cool" ficará iluminado e o indicador de temperatura do frigorífico irá exibir 2 °C.
- A função Super cool desliga-se automaticamente após 3 horas.
- Quando a função Super Frio estiver ativada, você pode desligá-la através de pressionar o botão "MODE" ou ajustar a temperatura do refrigerador. Para desligar manualmente a função Super Frio, a configuração da temperatura do frigorífico reverterá para a configuração anterior.

#### 4. Energy saving



Energy saving

Pressione o botão "MODE" para ligar a função de economia de energia, o ícone "Energy saving" será iluminado.

- Quando a função de economia de energia está ativada, a temperatura do frigorífico é automaticamente alterada para 6 °C e a temperatura do congelador é automaticamente alterada para -17 °C.
- Quando a função de economia de energia estiver ativada, você poderá desligá-la através de pressionar o botão "MODE" ou "TEMP." e a configuração de temperatura do refrigerador será revertida para a configuração anterior.

#### 5. Super Freeze



Super Freeze


O Super Congelar irá baixar rapidamente a temperatura dentro do congelador, para que


a comida seja congelado mais rapidamente do que o habitual. Essa função também ajuda a manter vitaminas e nutrição de alimentos frescos por mais tempo.

- Pressione "MODE" para ativar esta função. O ícone "Super Freeze" ficará iluminado e a temperatura do congelador será ajustada para -24 °C.
- A função Super Freeze desliga-se automaticamente após 52 horas.
- Quando a função Super Congelar estiver ativada, você pode desligá-la através de pressionar o botão "MODE" ou definir a temperatura do congelador. Para desligar manualmente a função Super Congelar, a configuração da temperatura do congelador retornará à configuração anterior.

**NOTA:** Ao selecionar a função Super Congelamento, certifique-se de que não há bebidas engarrafadas ou enlatadas (especialmente bebidas gaseificadas) no compartimento do congelador. BGarrafas e latas podem estourar.

## 6. POWER

 **POWER**  
On/Off 3" Mantenha pressionado o botão "POWER" por três segundos para ligar ou desligar a função de energia.

- Quando a função de energia está ligada, o ícone  acende-se e a placa de exibição mostrará "OF". Se nenhum botão tiver sido pressionado, a placa de exibição será desligada depois de cerca de 1 minuto.
- Se você quiser desligar a função de energia, verifique se a placa de exibição está acesa. Se não, você pode pressionar qualquer botão para acender a placa do visor.

## 7. Alarme de porta

- Quando a porta da geladeira estiver aberta por mais de 2 minutos, o painel de controle exibirá "dr" e o alarme da porta parará depois de cerca de 8 minutos.
- Para poupar energia, não mantenha a porta aberta por muito tempo ao utilizar o frigorífico. Em caso de alarme de porta, você pode desligá-lo através de fechar as portas.

## Usar seu aparelho

O seu aparelho tem os acessórios como a "Descrição do aparelho" mostrou em geral, com esta parte da instrução você pode ter o método certo para usá-los. Recomendamos que você leia com atenção antes de usar o.

### Prateleira da porta

É adequado para o armazenamento de líquidos em lata, bebidas engarrafadas e alimentos embalados, etc. Não coloque demasiadas coisas pesadas nas prateleiras.

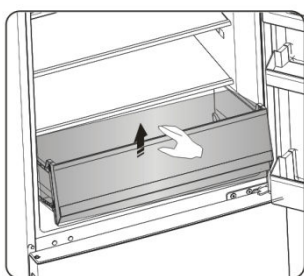
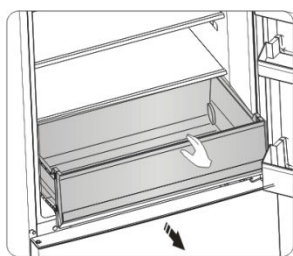
### Prateleira no compartimento da Geladeira

1. Há prateleiras no compartimento da geladeira, e elas podem ser retiradas para serem limpas.



2. A gaveta é adequada para armazenamento de vegetais e frutas, etc. Em primeiro lugar, puxe a gaveta para fora em nível e depois, levante-a, então você pode tirar a gaveta.

De acordo com a sequência oposta, você pode posicionar a gaveta corretamente.



### Compartimento de congelação

O compartimento de congelação é adequado para armazenamento de alimentos requeridos para serem congelados, tais como carne, gelo, etc.

**Cuidado!** Nunca feche a porta do congelador enquanto as gavetas, o suporte de instalação e a bandeja de gelo estiverem estendidos. Isso pode danificar a unidade. Certifique-se de que as garrafas de bebida não sejam deixadas no congelador por mais tempo do que o necessário, pois o líquido congelante pode causar a quebra da garrafa.

### Bandeja de gelo

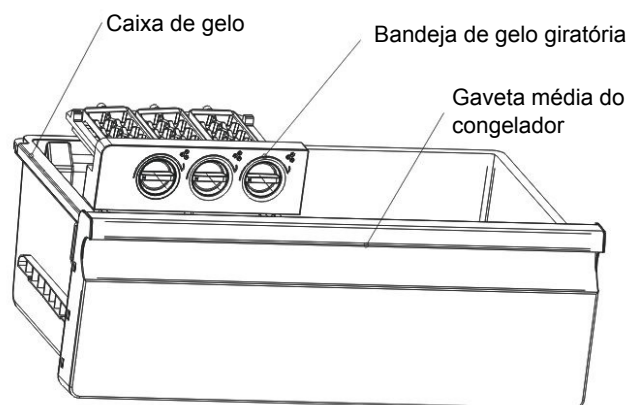
Bandeja de gelo giratória produz e armazena cubos de gelo abundantes.

1. Puxe a bandeja de gelo giratória do suporte de instalação.

2. Encha-a com água potável abaixo da marca de nível máximo.

3. Coloque a bandeja de gelo cheia de volta ao suporte.

4. Aguarde cerca de 3 horas, gire os botões no sentido horário e o gelo cairá na caixa de gelo abaixo.





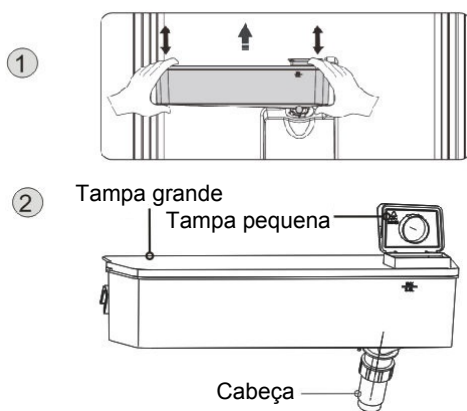
### Dispensador de água

O dispensador de água, localizado na porta da geladeira, serve para armazenar água potável. Essa função fornece água gelada facilmente sem abrir a geladeira. Você deve estar informado sobre as dicas a seguir.

#### ●Antes de usar

Por favor, limpe as partes do dispensador de água antes de usar este aparelho pela primeira vez.

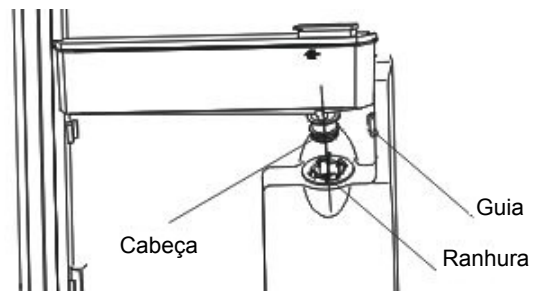
1. Segure os dois lados do tanque de água com força e, em seguida, puxe o tanque de água com cuidado, sacudindo para cima e para baixo.
2. Desaperte a cabeça, limpe-a e o interior do depósito de água (incluindo a tampa grande e a tampa pequena).
3. Seque-o de maneira natural ou usando um secador.



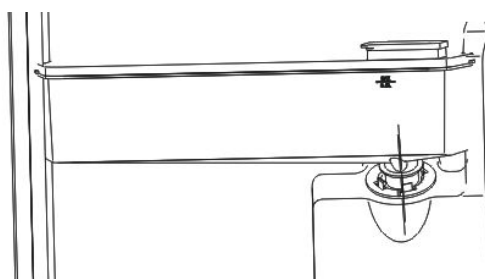
#### ●Montagem

Após a limpeza, monte estas peças juntas, com a sequência inversa do procedimento de limpeza; e depois encaixe-as na porta de acordo com o procedimento a seguir.

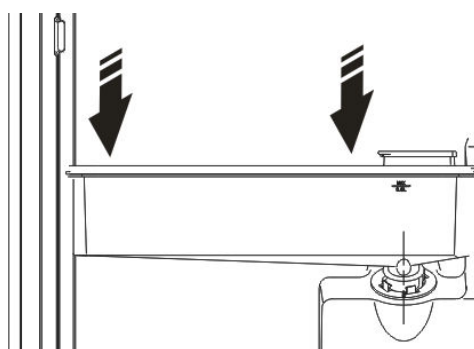
1. Insira a cabeça no buraco da porta.
2. Coloque o tanque ao longo das guias na porta.
3. Pressione os dois lados do tanque.
4. Quando você ouve um som de clique, isso significa que a instalação está concluída.



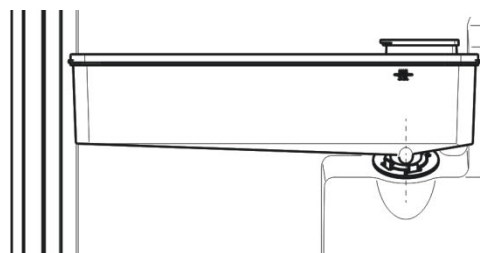
①



②



③



④

#### ●Enchimento com água

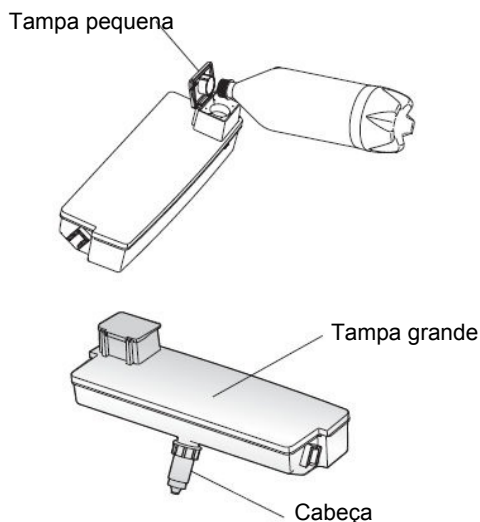
Antes de despejar a água potável no depósito de água, certifique-se de que o depósito de água está estável e na posição correta.

#### Cuidado!

Encha o tanque com água até 3.5L (o que é sugerido), não excedendo o nível.

Caso contrário, água poderá transbordar quando a tampa estiver fechada. Recomendamos que você preencha o tanque com água pelas seguintes maneiras.

Abra a tampa pequena através de a girar e enche o tanque com água da entrada da tampa grande. lembre-se de girar a tampa pequena de volta à sua posição original ao terminar de adicionar a água.



#### AVISO!

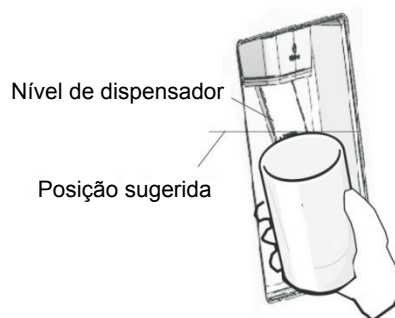
--Não toque em outras partes ao encher com água, o que pode causar vazamento de água.

--Outras bebidas (leite, suco, bebida carbonatada, etc.) não foram sugeridas para serem preenchidas, exceto água potável, especialmente bebida que inclui partículas (o que pode resultar em falha da função).

--Água quente foi proibida de ser adicionada no tanque de água.

#### ●Receber Água

Você deve usar as xícaras corretas para receber água abaixo do dispensador de água.



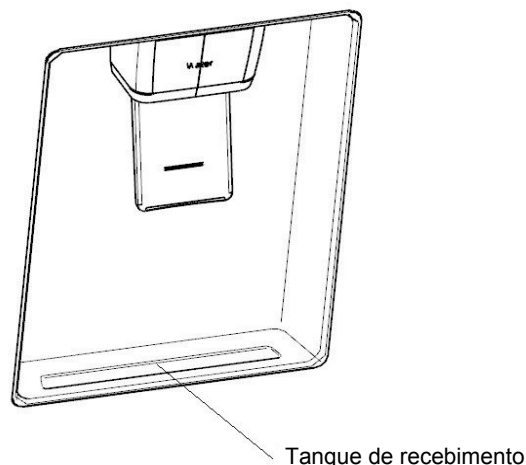
#### AVISO!

--Não empurre a alavanca do dispensador de água para a frente sem um copo, pois isso pode causar derramamento de água.

--Para evitar que o ar frio vaze para fora do gabinete, mantenha as partes do dispensador de água (especialmente a caixa de armazenamento de água e a cabeça) instaladas, mesmo que o dispensador de água esteja fora de uso.

#### ●Limpeza

1. Retire o tanque de água cuidadosamente fora da porta e lave o tanque, a tampa e a cabeça levemente na água.
2. Depois de limpar o aparelho com sucesso, você deve secá-lo, secando naturalmente ou usando o secador.
3. Se você tiver usado o dispensador de água por várias vezes, a água no tanque de recebimento poderá cair no chão, o que pode tornar o piso úmido, e você deve limpar o tanque com uma toalha seca regularmente antes de transbordamento.



## Limpeza e Manutenção

Por razões higiénicas do aparelho (incluindo acessórios interiores e exteriores) devem ser limpas regularmente pelo menos, a cada dois meses.

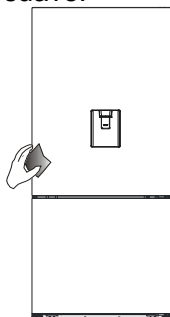
### AVISO!

O aparelho não deve ser conectado às principais durante a limpeza pois há perigo de choque eléctrico! Antes da limpeza, desligue o aparelho e remova a ficha da tomada.

### Limpeza exterior

Limpe o painel de controlo com um pano limpo e suave.

- Pulverize água no pano de limpeza em vez de pulverizar directamente na superfície do aparelho. Isto ajuda a assegurar que há uma distribuição homogénea na superfície.
- Limpe as portas, pegas e superfícies do recipiente com um detergente suave e depois seque com um pano suave.



### Cuidado!

- Não use objetos pontiagudos, pois eles podem arranhar a superfície.
- Não use Diluente, Detergente de carro, Clorox, óleo etéreo, produtos de limpeza abrasivos ou solvente orgânico, como benzeno para limpeza. Os produtos podem danificar a superfície do aparelho e provocar um incêndio.

### Limpeza interior

Você deve limpar o interior do aparelho regularmente. Será mais fácil de limpar quando os estoques de alimentos estiverem baixos. Limpe o interior do congelador com uma solução fraca de bicarbonato de sódio e, em seguida,

enxágue com água morna usando uma esponja ou pano torcido. Seque completamente antes de substituir as prateleiras e cestas. Seque bem todas as superfícies e partes removíveis antes de recolocá-las no lugar.



Embora este aparelho seja automaticamente descongelado, pode ocorrer uma camada de geada nas paredes interiores do compartimento de congelação se a porta do congelador for aberta frequentemente ou por muito tempo. Se a geada for muito grossa, escolha uma hora em que a geladeira esteja quase vazia e proceda da seguinte forma:

1. Retire os cestos de alimentos e acessórios existentes, desligue o aparelho da corrente eléctrica e deixe as portas abertas. Ventile a sala completamente para acelerar o processo.
2. Quando a descongelação estiver concluída, limpe o congelador conforme descrito acima.

### Cuidado!

Não use objetos pontiagudos para remover o gelo do congelador. Apenas depois do interior estar completamente seco, para ligar de novo o aparelho e ligar a ficha na tomada.

### Limpeza de selos da porta

Tome cuidado para manter os selos da porta limpos. Alimentos pegajosos e bebidas podem levar os selos a ficarem pegajosos ao recipiente e partirem-se quando abre a porta. Lave os selos com detergente suave e água morna. Enxagúe e seque profundamente depois da limpeza.

**Cuidado!** Somente depois que as vedações da porta estão completamente secas, o aparelho pode ser ligado.

#### **Substituindo a luz LED:**

AVISO:

A luz LED deve ser substituída por uma pessoa competente. Se a luz LED estiver

danificada, contacte a linha de apoio ao cliente para assistência. Para substituir a luz LED, os seguintes passos podem ser seguidos:

1. Desconecte o aparelho.
2. Remova a tampa da luz, empurrando para cima e para fora.
3. Segure a tampa do LED com uma mão e puxe-a com a outra mão enquanto pressiona a trava do conector.
4. Substitua a luz LED e encaixe-a corretamente para o lugar determinado.

## Sugestões e dicas úteis

### **Dicas de economia de energia**

Recomendamos que siga as dicas abaixo para poupar energia.

- Tente evitar manter a porta aberta por longos períodos para economizar energia. Assegure-se que o aparelho está longe de fontes de calor (luz solar directa, forno ou fogão eléctricos, entre outros)
- Não coloque uma temperatura mais fria do que o necessário.
- Não armazene alimentos quentes ou líquidos a evaporar no aparelho.
- Coloque o aparelho numa sala bem ventilada e sem humidade. Por favor, consulte o capítulo Instalando o seu novo aparelho.
- Se o diagrama mostrar uma combinação correcta das gavetas e prateleiras, não ajuste a combinação pois esta é desenhada para uma configuração de poupança de energia.

### **Dicas para refrigeração de alimentos frescos**

- Não coloque alimentos quentes directamente no refrigerador ou congelador, a temperatura interna irá

aumentar resultando no compressor ter de se esforçar e consumir mais energia.

- Cubra ou envolva os alimentos, particularmente se tiverem aromas fortes.
- Coloque os alimentos cuidadosamente de forma a que o ar circule livremente à sua volta.

### **Dicas para refrigeração**

- Carne (Todos os Tipos) Embrulho em alimentos :  
embrulhe e coloque na prateleira de vidro acima da gaveta de legumes  
Siga sempre os tempos de armazenamento dos alimentos e consuma antes das datas sugeridas pelos fabricantes.
- Alimentos cozinhados, pratos frios, entre outros:  
Devem ser cobertos e podem ser colocados em qualquer prateleira.
- Fruta e legumes:  
Devem ser armazenados na gaveta especial fornecida.
- Manteiga e queijo:  
Deve ser embrulhado em papel alumínio ou filme plástico.
- Garrafas de leite:  
Deve ter tampa e ser armazenado nas estacas da porta.

### Dicas para congelação

- Quando iniciar primeiro ou depois de um período de uso, deixe que o aparelho funcione por, pelo menos, 2 horas nas definições mais altas antes de colocar alimentos no compartimento.
- Prepare alimento em pequenas porções para permitir que ele seja congelado rapidamente e completamente e para tornar possível descongelar posteriormente apenas a quantidade necessária.
- Embrulhe os alimentos em alumínio ou embrulhos de polietileno herméticos,
- Não exija que alimentos frescos e descongelados tocam nos alimentos que já estão congelados para evitar um aumento de temperatura nestes últimos.
- Produtos gelados, se consumidos imediatamente depois de serem removidos do compartimento de congelador, irão provavelmente causar queimaduras de frio na pele.
- Recomenda-se rotular e datar cada

pacote congelado para manter o controle do tempo de armazenamento.

### Sugestões para o armazenamento de alimentos congelados

- Sugestões para o armazenamento de alimentos congelados
- Quando descongelados, os alimentos irão deteriorar-se rapidamente e não devem ser novamente congelados. Não exceda o período de armazenamento indicado pelo fabricante de alimentos.

### Desligar o seu aparelho

Se o aparelho precisar de ser desligado por um longo período de tempo, os seguintes passos devem ser seguidos para prevenir mofo no aparelho.

1. Remova todos os alimentos.
2. Remova a ficha das principais tomadas antes.
3. Limpe e seque completamente o interior.
4. Assegure que todas as portas são forçosamente abertas para permitir que ar circule.

## Resolução de problemas

Se você tiver algum problema com o seu aparelho ou estiver preocupado que o aparelho não esteja funcionando corretamente, você pode realizar algumas verificações fáceis antes de solicitar o serviço, veja abaixo.

**Aviso!** Não tente reparar o aparelho por si mesmo. Se o problema continuar depois de fazer as examinações abaixo, contacte um electricista qualificado, engenheiro de serviço autorizado ou loja onde comprou o produto.

Problema	Causa possível & Solução
O aparelho não está funcionando corretamente	Verifique se o cabo de alimentação está ligado na saída de energia apropriadamente.
	Verifique se a função "Poder" está ligada através de pressionar o botão "poder" por 3 segundo.
	Verifique o fusível ou circuito da fonte de alimentação, substitua-o se necessário.
	É normal que o congelador não esteja funcionando durante o ciclo de descongelação, ou por um curto período de tempo após que o aparelho seja ligado para proteger o compressor.

Odores dos compartimentos	<p>O interior pode precisar de ser limpo.</p> <p>Alguns alimentos, recipientes ou embalagens causam odores.</p>
Ruído do aparelho	<p>Os sons abaixo são normais:</p> <ul style="list-style-type: none"> <li>• Ruído de funcionamento do compressor.</li> <li>• Ruído do movimento do ar do pequeno motor do ventilador no compartimento do congelador ou outros compartimentos.</li> <li>• Som borbulhante semelhante ao de ebulição da água.</li> <li>• Ruído de rebentar durante o descongelamento automático.</li> <li>• Ruído de clique antes que o compressor funcione.</li> </ul> <p>Outros ruídos anormais são causados devido às razões abaixo e você pode verificar e tomar medidas:</p> <ul style="list-style-type: none"> <li>• O gabinete não está horizontal.</li> <li>• A parte traseira do aparelho encosta na parede.</li> <li>• Garrafas ou outros recipientes caem ou rolam.</li> </ul>
O motor funciona continuamente	<p>É normal ouvir frequentemente o som do motor, ele terá de funcionar mais nas seguintes circunstâncias:</p> <ul style="list-style-type: none"> <li>• A configuração da temperatura é definida para o nível mais frio do que o necessário</li> <li>• Grande quantidade de alimentos quentes foi recentemente armazenada no aparelho.</li> <li>• A temperatura no exterior do aparelho é muito alta.</li> <li>• As portas são mantidas abertas por um período de tempo muito longo ou muito frequentemente.</li> <li>• Após a instalação do aparelho ou o aparelho tenha sido desligado por um longo tempo.</li> </ul>
Uma camada de geada ocorre no compartimento	<p>Verifique se as saídas de ar não estão bloqueadas por qualquer alimento e certifique-se de que o alimento é colocado dentro do aparelho para permitir uma ventilação suficiente. Certifique-se de que a porta esteja totalmente fechada. Para remover o gelo, consulte o capítulo de limpeza e cuidados.</p>
A temperatura no interior é muito alta	<p>Você pode ter deixado as portas abertas por muito tempo ou com demasiada frequência; ou as portas são mantidas abertas por algum obstáculo; ou o aparelho está localizado com espaço insuficiente nos lados, costas e topo.</p>
Temperatura interior é muito fria	<p>Aumento da temperatura seguindo o capítulo "Controlos do visor".</p>
Portas não podem ser fechadas facilmente	<p>Verifique se o topo da geladeira está inclinado de volta por 10-15mm para permitir que as portas se fechem, ou se algo dentro está impedindo as portas de ser fechadas.</p>

## Eliminação do aparelho

É proibido remover o aparelho como resíduos de casa.



### **Materiais de embalagem**

Os materiais de embalagem com símbolo de reciclagem são recicláveis. Remova o embalagem num recipiente de recolha de resíduos apropriados para reciclar.

### **Antes da eliminação do aparelho**

1. Puxe a ficha principal das principais tomadas antes.
2. Desligue o cabo de alimentação e deite fora a ficha principal.

**Aviso!** Refrigeradores contêm refrigerante e gases na isolação. Refrigerante e gases devem ser eliminados profissionalmente pois podem causar danos oculares ou ignições. Assegure-se que a tubagem do circuito de refrigerante não está danificada antes da eliminação apropriada.

	<b>Eliminação correta deste produto</b>
 	Este símbolo no produto ou na sua embalagem indica que este produto não pode ser tratado como resíduos de casa. Em vez disso, deve ser feita a sua recolha e reciclagem num ponto de reciclagem para equipamento eléctrico e electrónico. Assegurando que este produto é eliminado correctamente, irá ajudar a prevenir consequências potencialmente negativas para o ambiente e saúde humana, que pode ser causado por um tratamento de resíduos inapropriados deste produto. Para mais informações detalhadas sobre a reciclagem deste produto, por favor, contacte o seu conselho local de serviço de eliminação de resíduos de casa ou a loja onde comprou o produto.

Para evitar a contaminação dos alimentos, respeite as seguintes instruções

- A abertura da porta por longos períodos pode causar um aumento significativo da temperatura nos compartimentos do aparelho.
- Limpe regularmente superfícies que possam entrar em contato com alimentos e sistemas de drenagem acessíveis.
- Armazene carne crua e peixe em recipientes adequados no refrigerador, para que não fique em contato ou pingue em outros alimentos.
- Os compartimentos de comida congelada de duas estrelas são adequados para armazenar alimentos pré-congelados, armazenar ou fazer sorvetes e fazer cubos de gelo.
- Os compartimentos de uma, duas e três estrelas não são adequados para o congelamento de alimentos frescos.

Ordem	Compartimentos TIPO	Temperatura de armazenamento alvo [° C]	Comida adequada
1	Geladeira	+2 ~ +8	Ovos, alimentos cozinhados, alimentos embalados, frutas, legumes, laticínios, bolos, bebidas e outros alimentos que não devem ser congelados.
2	(***)*-Congelador	≤ -18	Marisco (peixe, camarão, mariscos), produtos de água doce e carnes (o tempo recomendado é 3 meses – os valores nutritivos e o gosto decrescem com o tempo), adequado para alimentos frescos congelados.
3	***-Congelador	≤ -18	Marisco (peixe, camarão, mariscos), produtos de água doce e carnes (o tempo recomendado é 3 meses – os valores nutritivos e o gosto decrescem com o tempo). Não adequado para congelar alimentos frescos.
4	** -Congelador	≤ -12	Marisco (peixe, camarão, mariscos), produtos de água doce e carnes (o tempo recomendado é 2 meses – os valores nutritivos e o gosto decrescem com o tempo). Não adequado para congelar alimentos frescos.
5	*-Congelador	≤ -6	Marisco (peixe, camarão, mariscos), produtos de água doce e carnes (o tempo recomendado é 1 mês – os valores nutritivos e o gosto decrescem com o tempo). Não adequado para congelar alimentos frescos.
6	0-estrela	-6 ~ 0	Carne de porco, vaca, peixe e frango fresca, alguns alimentos processados embalados, etc. (É recomendável comer no mesmo dia, preferencialmente não após 3 dias). Alimentos processados parcialmente embalados ou encapsulados (alimentos que não podem ser congelados)
7	Frio	-2 ~ +3	Carne de porco fresca/congelada, carne de vaca, frango, produtos aquáticos de água doce, etc. (7 dias abaixo de 0 °C e acima de 0 °C) é recomendada para consumo dentro desse dia, de preferência não mais que 2 dias). Frutos do mar (menos de 0 por 15 dias, não é recomendado para ser armazenado acima de 0 °C)



---

8	Comida Fresca	0~ +4	Carne de porco fresca, bife, peixe, frango, comida cozida, etc. (Recomendado para comer no mesmo dia, de preferência não superior a 3 dias)
9	Vinho	+5~ +20	vinho tinto, vinho branco, vinho espumante etc.

Nota: por favor guarde alimentos diferentes de acordo com os compartimentos ou a temperatura desejada de armazenamento dos produtos comprados.

- Se o aparelho de refrigeração ficar vazio por longos períodos, desligue, descongele, limpe, seque e deixe a porta aberta para evitar o desenvolvimento de mofo dentro do aparelho.

**Limpeza do dispensador de água (especial para produtos dispensadores de água):**

- Tanques de água limpa, caso não tenham sido utilizados por 48 horas; lave o sistema de água ligado a uma fonte de água se a água não tiver sido retirada durante 5 dias.

AVISO – Os alimentos precisam de ser embalados em sacos antes de serem colocados no frigorífico. Os líquidos precisam de estar engarrafados ou tampados para evitar o problema de não ser fácil de limpar a estrutura de design do produto.

**Hisense**  
life reimagined